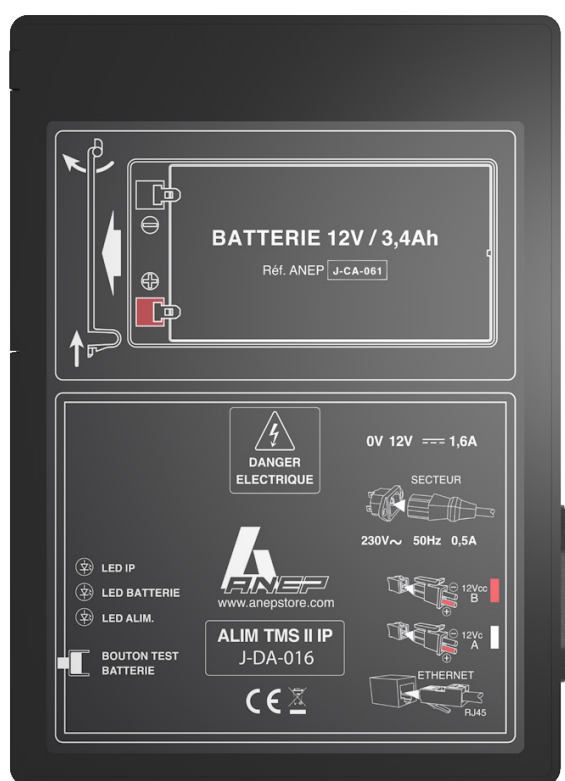


# ALIM TMS-II-IP

Ref : J-DA-016

BACKUP POWER CONNECTED



# GENERAL WARNINGS

## SAFETY INSTRUCTIONS

Pay close attention to the warnings contained in this section as they provide important guidelines for achieving a safe installation, for correct use and maintenance of the product.

- **ALIM TMS II-IP** is a DC backup power supply designed to be connected to the 230 Vac public distribution network.
- It ensures the continuity of equipment service in the event of a power outage. The emergency function is built into the product.
- An easily accessible two-pole disconnecting device must be provided and mounted upstream: curve C or D (recommended rating 1A).
- In order to avoid any risk of electric shock, any intervention must be carried out.
- The intervention must only be carried out by authorized personnel.
- Equipment intended for use in a technical room.
- Horizontal or vertical mounting.
- Comply with thermal and mechanical limits.
- In the event of prolonged storage or disconnection, disconnect the battery mounted inside of the box.



### **WARNING**

Risk of explosion if battery is replaced by an incorrect type.  
Dispose of used batteries according to the instructions.



Electrical equipment must be compulsorily recycled according to Directive n°2012/19/EU of 04/07/12 relating to waste electrical equipment and Electronic (WEEE)

# SUMMARY

<b>GENERAL WARNINGS</b> .....	<b>2</b>
Safety instructions .....	<b>2</b>
<b>SPECIFICATIONS</b> .....	<b>4</b>
<b>DESCRIPTION</b> .....	<b>5</b>
Dimensions .....	<b>5</b>
<b>BATTERY CONNECTION BEFORE MAINS</b> .....	<b>6</b>
<b>PROXY</b> .....	<b>7</b>
<b>INSTALLATION</b> .....	<b>8</b>
Tabletop mounting .....	<b>8</b>
Rack mounting .....	<b>9</b>
Wall mounting .....	<b>10</b>
Support Dimensions .....	<b>11</b>
<b>CONNECTION</b> .....	<b>12</b>
Supplied cables .....	<b>12</b>
12Vdc outputs .....	<b>12</b>
Ethernet .....	<b>12</b>
Mains 230Vac .....	<b>12</b>
Battery .....	<b>13</b>
Fuses .....	<b>14</b>
<b>WORKING</b> .....	<b>15</b>
TEST button / Diagram .....	<b>16</b>
RESET button .....	<b>17</b>
<b>LEDS</b> .....	<b>15</b>
<b>OPERATING MODE</b> .....	<b>18</b>
ONE425 mode .....	<b>18</b>
Stand-alone mode (DHCP) .....	<b>19</b>
Stand-alone mode (IP statique) .....	<b>19</b>
<b>HTML ADMINISTRATION</b> .....	<b>20</b>
PC connection .....	<b>20</b>
HTML login page .....	<b>21</b>
Description of the fields and buttons .....	<b>22</b>
Values of the factory configuration .....	<b>24</b>
<b>IP COMMUNICATION</b> .....	<b>25</b>
SYSLOG .....	<b>25</b>
Provisioning .....	<b>26</b>
<b>TROUBLESHOOTING / FAQ</b> .....	<b>27</b>

# SPECIFICATIONS

## ENVIRONMENTAL

Operating temperatures : **10°C...35°C**

Storage temperatures : **0°C...85°C**

Relative humidity in operation : **20% ...95% à 30°C**

## INPUT ELECTRICAL

- Network voltage 196 to 255 Vac - Frequency: 50 Hz - Class I
- Neutral systems: TT, TN, IT - Primary current @ 230 Vac: 0.5 A
- Display by LED (green) of the presence of the network: **Power**

## OUTPUT ELECTRICAL

- 2 outputs 12 Vcc (1,6 A total Max.)

## BATTERY

- Built-in lead battery 12 V, 3.4 A/h
- Local battery test using the battery test button: **Test**
- Display of the result of the battery test by an indicator: **Battery OK**

*Pressing the button activates the battery test phase (flashing of the battery OK indicator). After one minute, if the indicator lights up, the battery is functional.*



Réf. ANEP  
J-CA-061

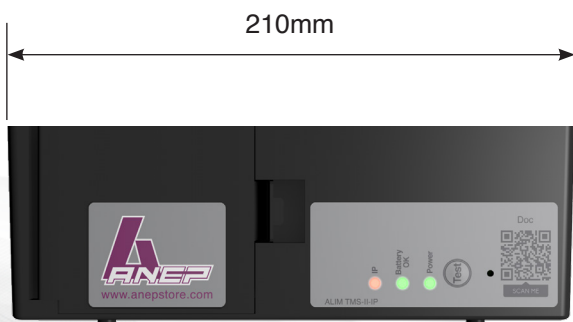
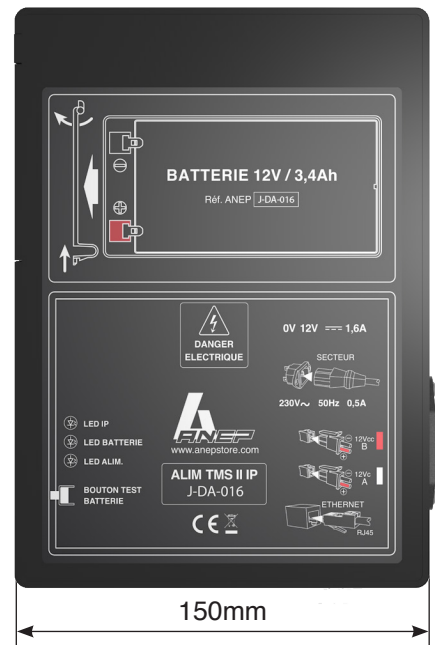
# DESCRIPTION

**ALIM TMS II-IP** is a safeguarded and controlled DC power supply, intended for be connected to the 230 Vac public distribution network.

Main features :

- Ensures the continuity of equipment service in the event of a power outage.
- Permanently checks the presence of 230 Vac and the state of load of the battery and communicates the information via an IP network to a serverSyslog.
- Automatically retrieves the configuration from an ANEP server desired.
- Complies with EN60950 – EN61000-3 – EN61000-4 – EN55014 standards.

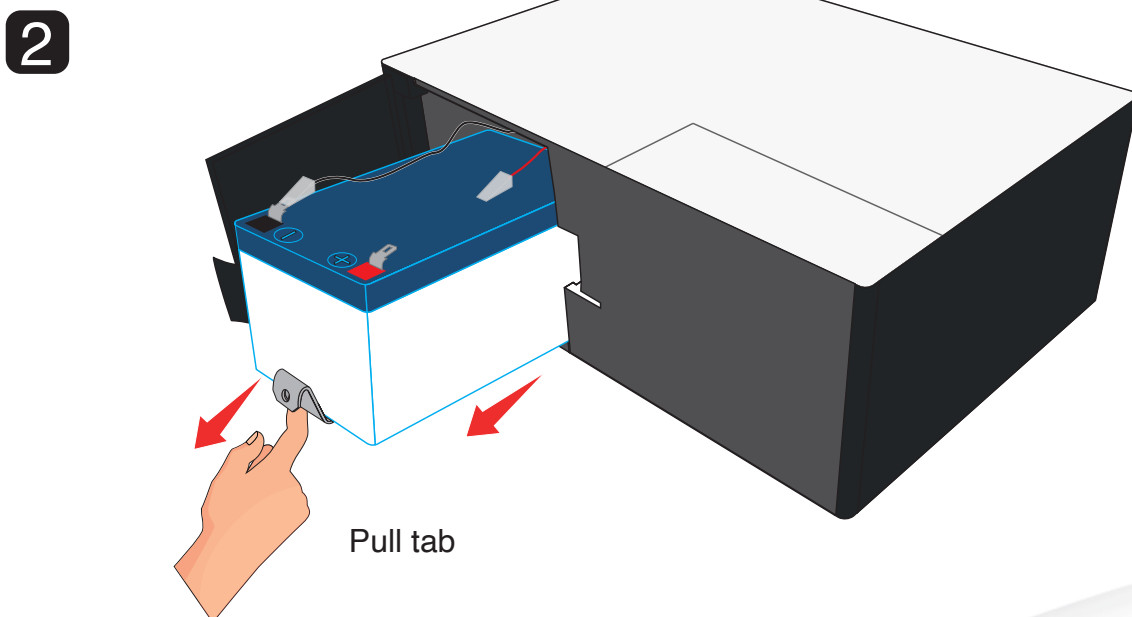
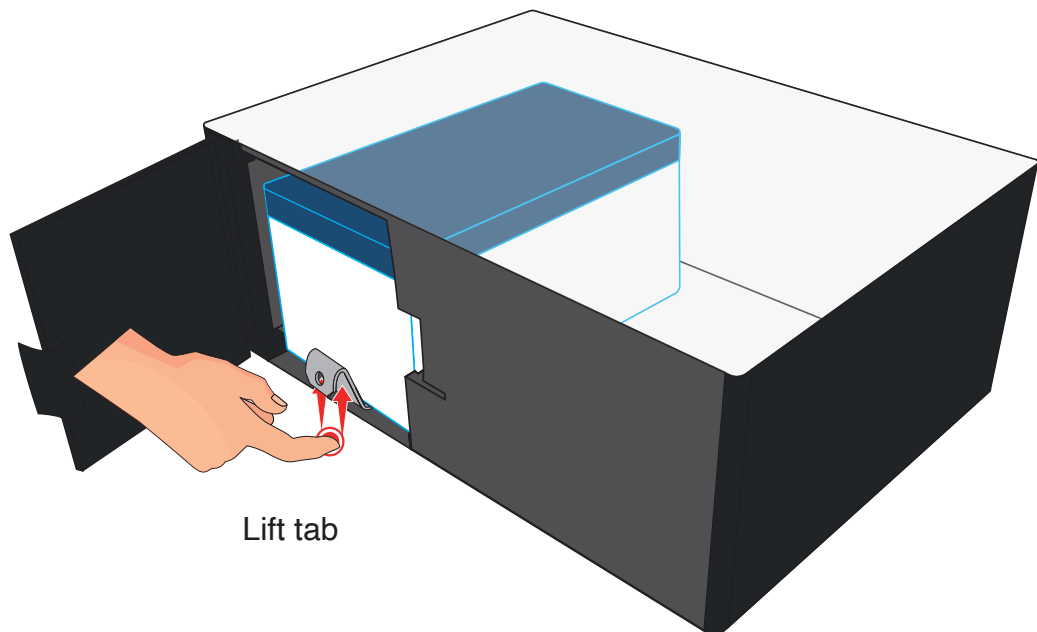
## DIMENSIONS



# BATTERY CONNECTION BEFORE MAINS

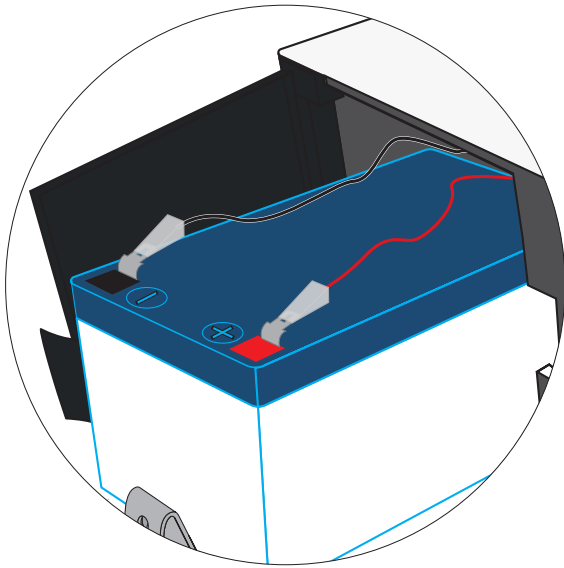
**ATTENTION!** Before starting any work, please disconnect the 230 Vac power cable.

- 1** Open the front cover to remove the battery.





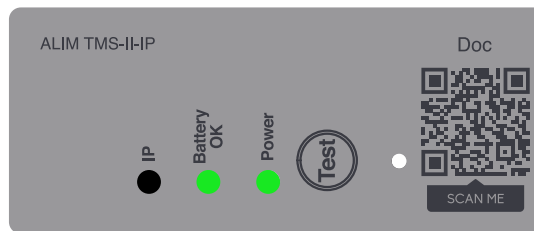
**3** Connect red cable to red terminal (+)



**BE CAREFUL!** not to invert the red (+) and black (-) terminals.

**4** Store battery, close cover, connect to 230 Vac mains supply.

**5** LED status



"POWER" and "BATTERY OK" LEDs are steady green.

If the "BATTERY OK" LED is not lit, press the TEST button; after one second it will light up green.

If "BATTERY OK" LED is red, replace or charge battery.

**Note:** If the ALIM TMS-II-IP is to be disconnected from the 230 Vac mains supply for a period of time (storage, maintenance, etc.), the battery (red terminal) must also be disconnected to prevent total discharge.

## PROXY

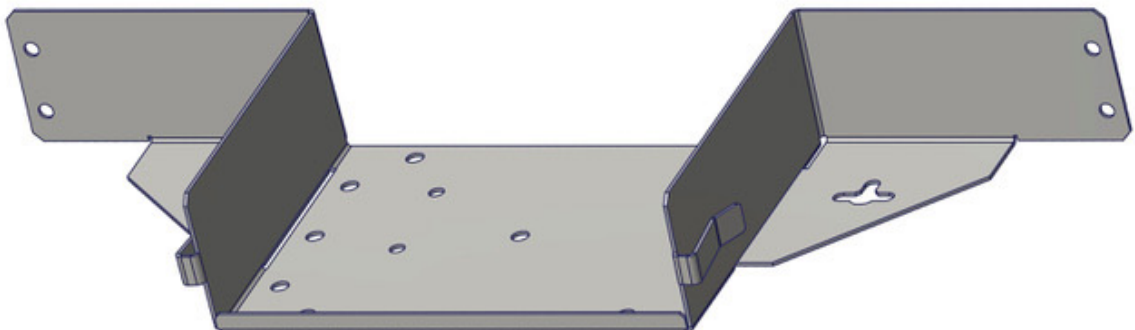
If the power supply is connected to a network managed by a Proxy, please contact the site network administrator to set up the Proxy.

# INSTALLATION

## TABLETOP MOUNTING



Optional Rack Support (Id. ANEP : J-AA-001)

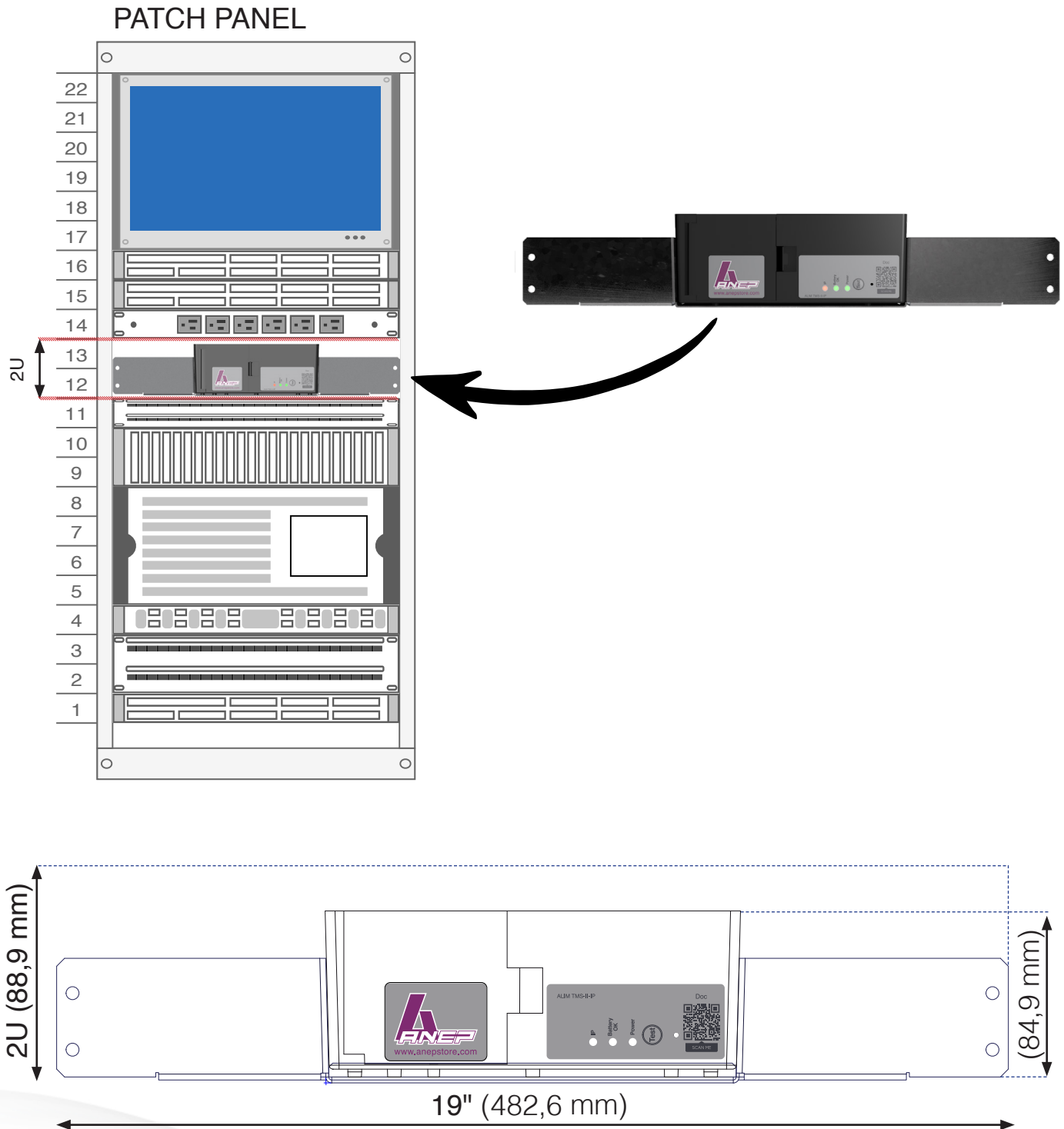




# INSTALLATION

## RACK MOUNTING

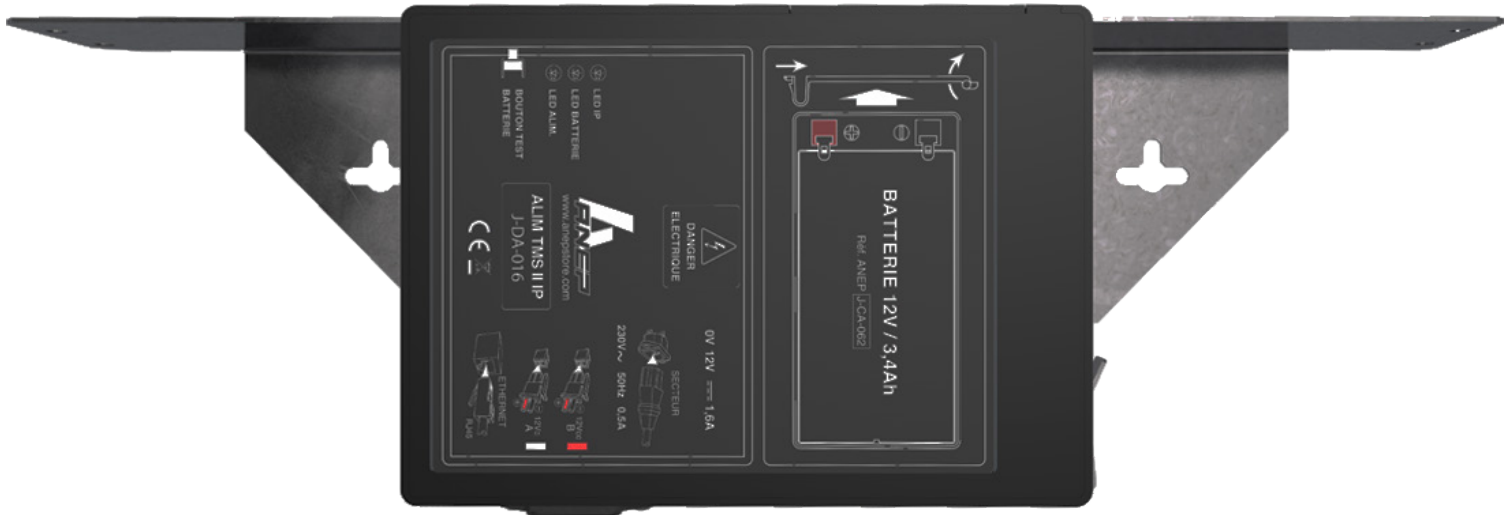
As an option, the support (Id. ANEP: J-AA-001) allows the TMS-II-IP PSU to be installed in a standard 19" inch wide computer rack, allow for a height of 2U.



# INSTALLATION

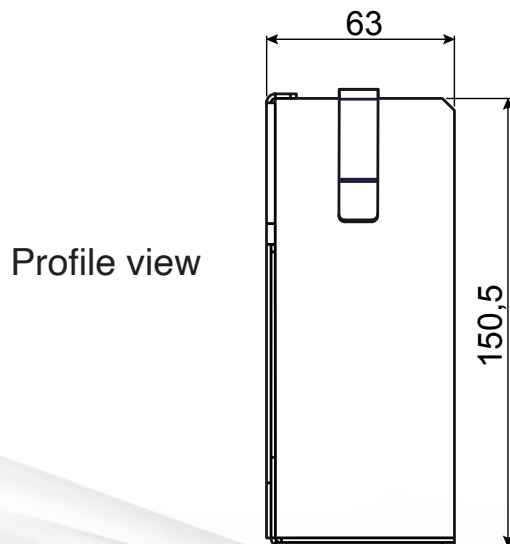
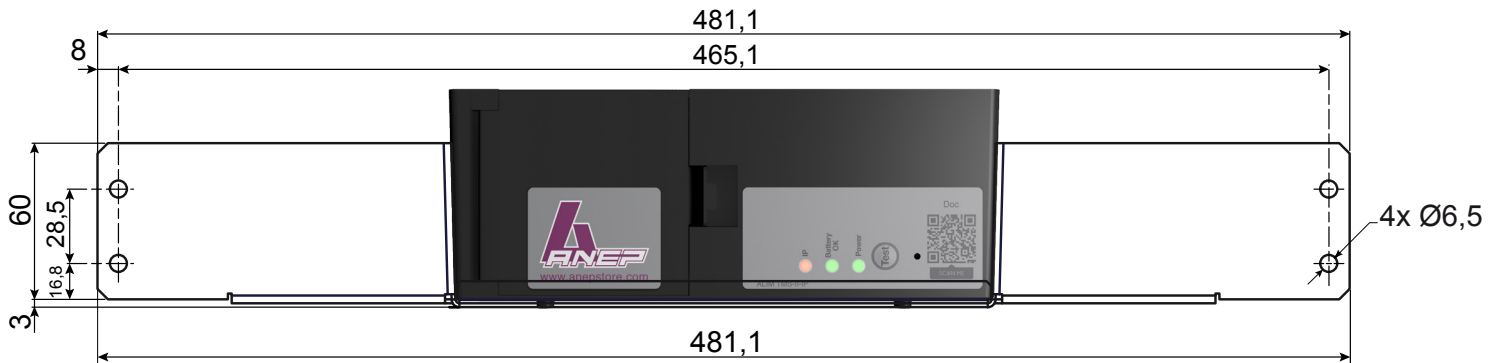
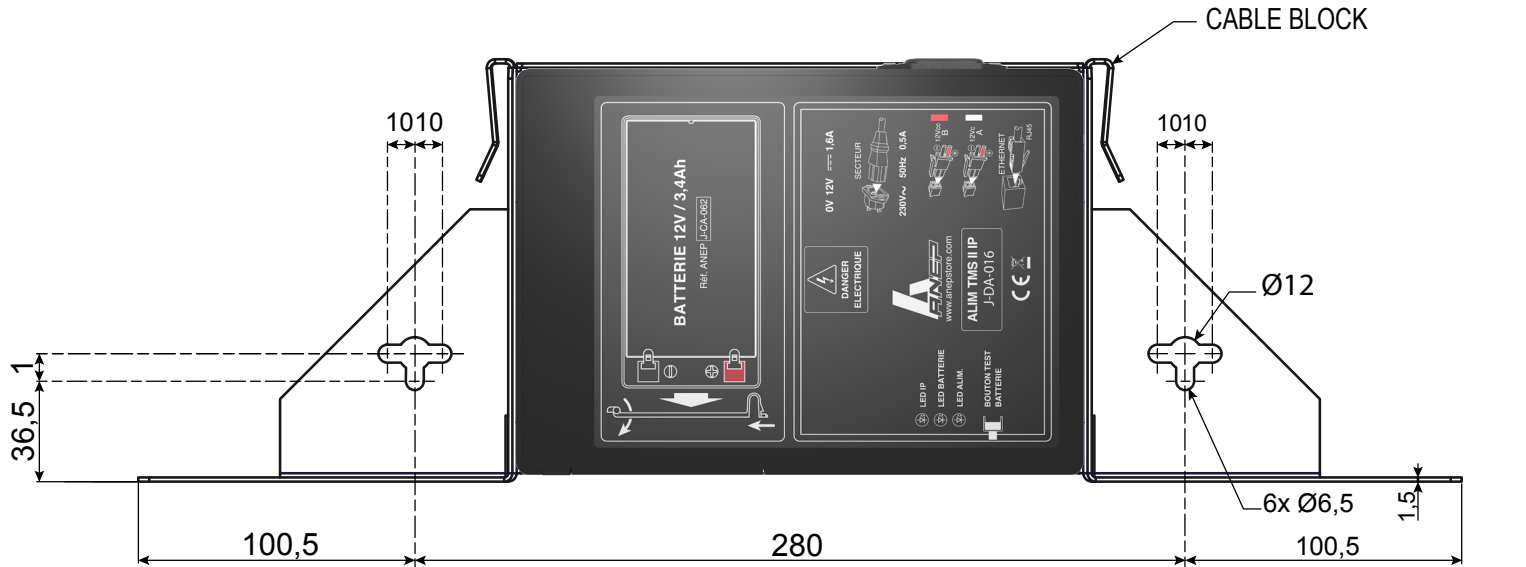
## WALL MOUNTING

As an option, the support (Id. ANEP : J-AA-001) allows wall installation



# INSTALLATION

## SUPPORT DIMENSION (Id. ANEP : J-AA-001)



# CONNECTION

## CABLES SUPPLIED

### OUTPUT CABLE 12V, x3, 2M

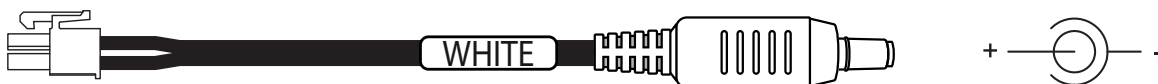
Power plug 1.50m DC type  $\varnothing 5.5 \times 2.5\text{mm}$  MALE



Power plug 1.50m DC type  $\varnothing 5.5 \times 2.1\text{mm}$  MALE



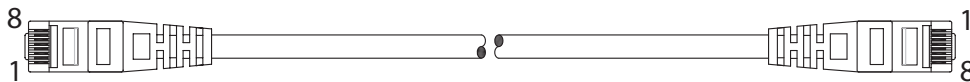
Power plug 1.50m DC type  $\varnothing 5.5 \times 2.1\text{mm}$  MALE



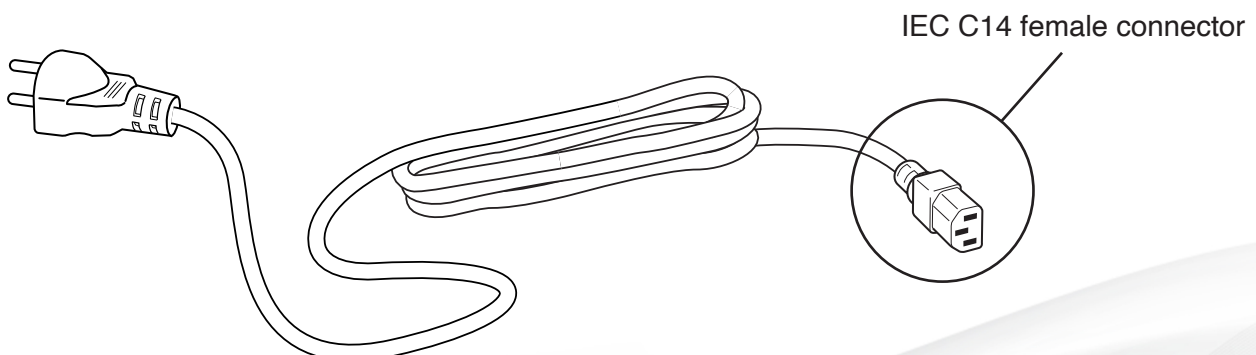
Please note that the equipment to be connected must be adapted to the following polarity



### ETHERNET CABLE, CAT 5e, RJ45, 2m



### MAINS CABLE 230V, 2m

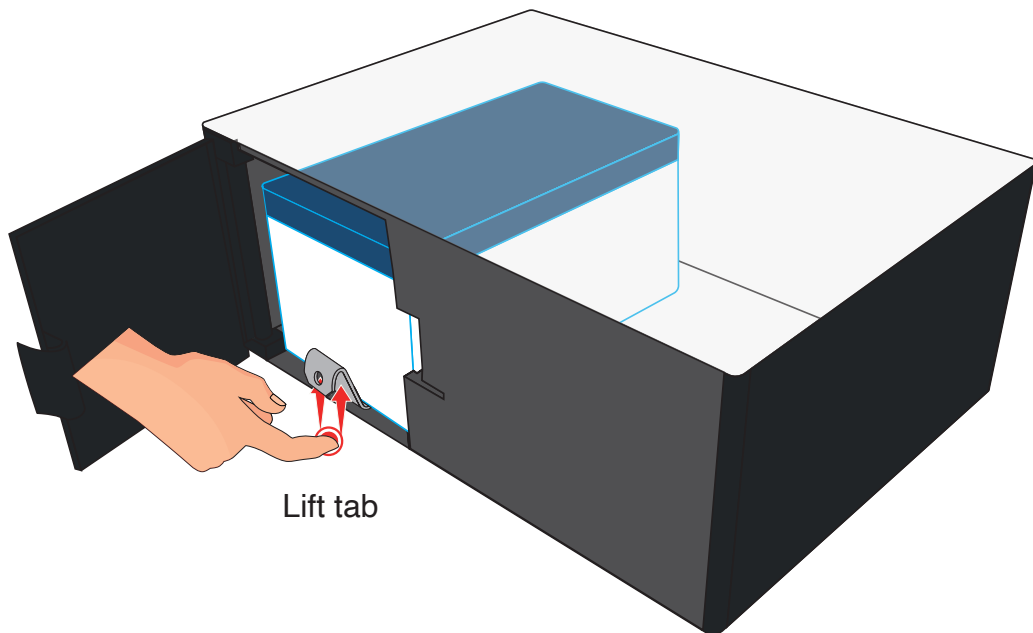


# CONNECTION

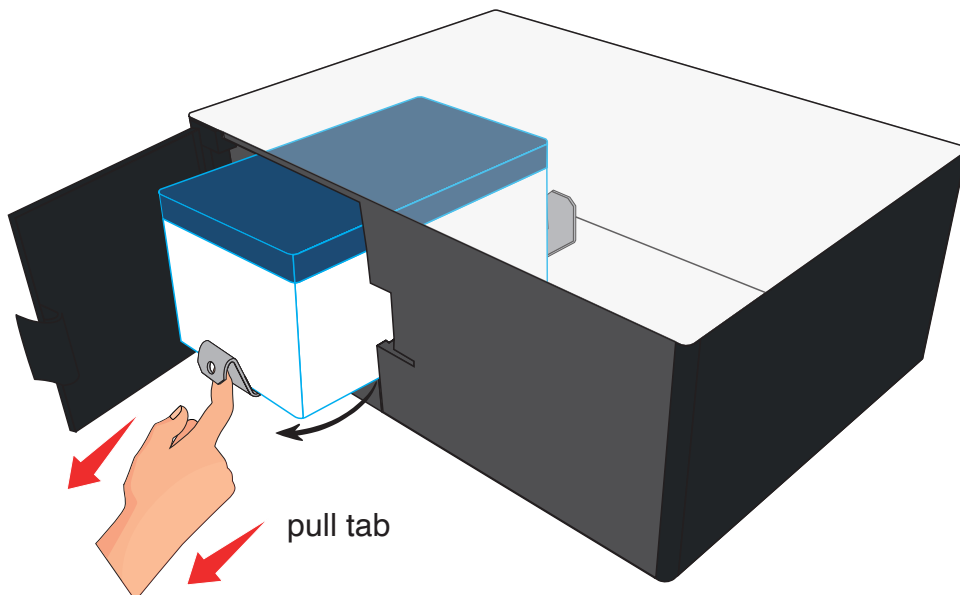
## BATTERY

Open the door of the TMS-II-IP PSU to remove the battery. (see picture below)  
When connecting the battery, be careful not to invert the red terminal (+) and black (-).

1



2

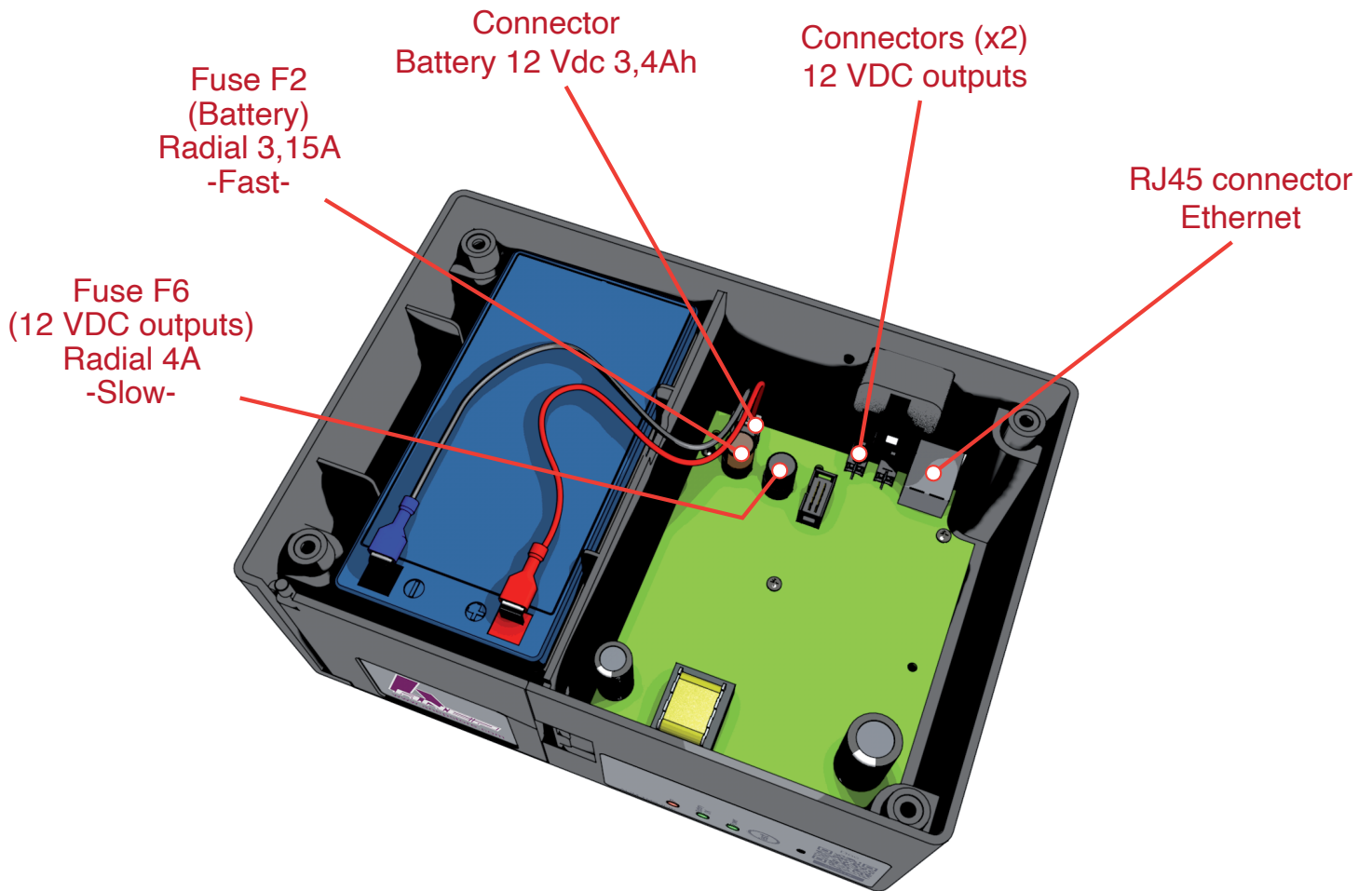


**Note:** If the TMS-II-IP must be disconnected from the 230 Vac mains for a certain period of time (storage, maintenance, etc.), it is also necessary to disconnect the battery to avoid total discharge.

# CONNECTION

## FUSES

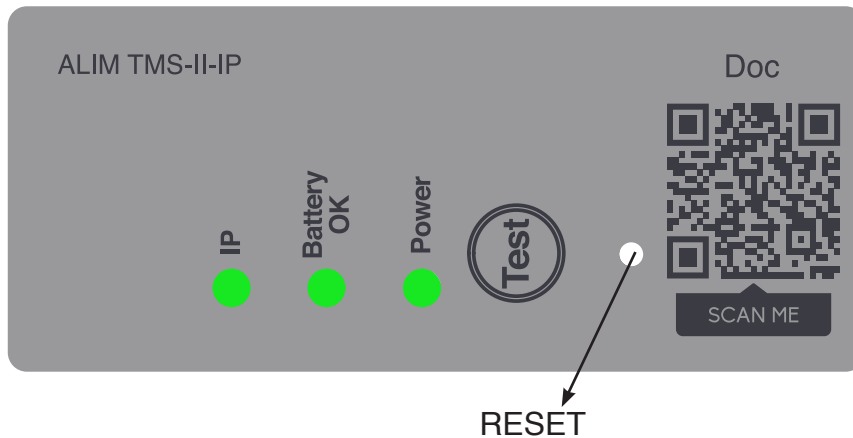
Before any intervention, please make sure to unplug the power cable 230 Vac and the battery.





# WORKING

## FRONT FACE



## IP-LEDs

Color	State	Designation
Red	Fixed	Steady DHCP mode, no DHCP response
	Slow Flashing	Long reboot, static mode, waiting for action
Orange	Fixed	Load config, DHCP mode, One425
	Fast Flashing	Load config, DHCP mode, Standalone
	Slow Flashing	Load configuration, static mode
Green	Fixed	Ping serveur syslog, Transmission syslog ok
	Fast Flashing	Config provisioning not recovered
	Slow Flashing	Config provisioning recovered

## LED Battery OK

Off		Battery out or missing, or fuse F2 out
Green	Flashing	Voltage <12Vdc, autonomy 1h not assured
Green	Fixed	Battery OK

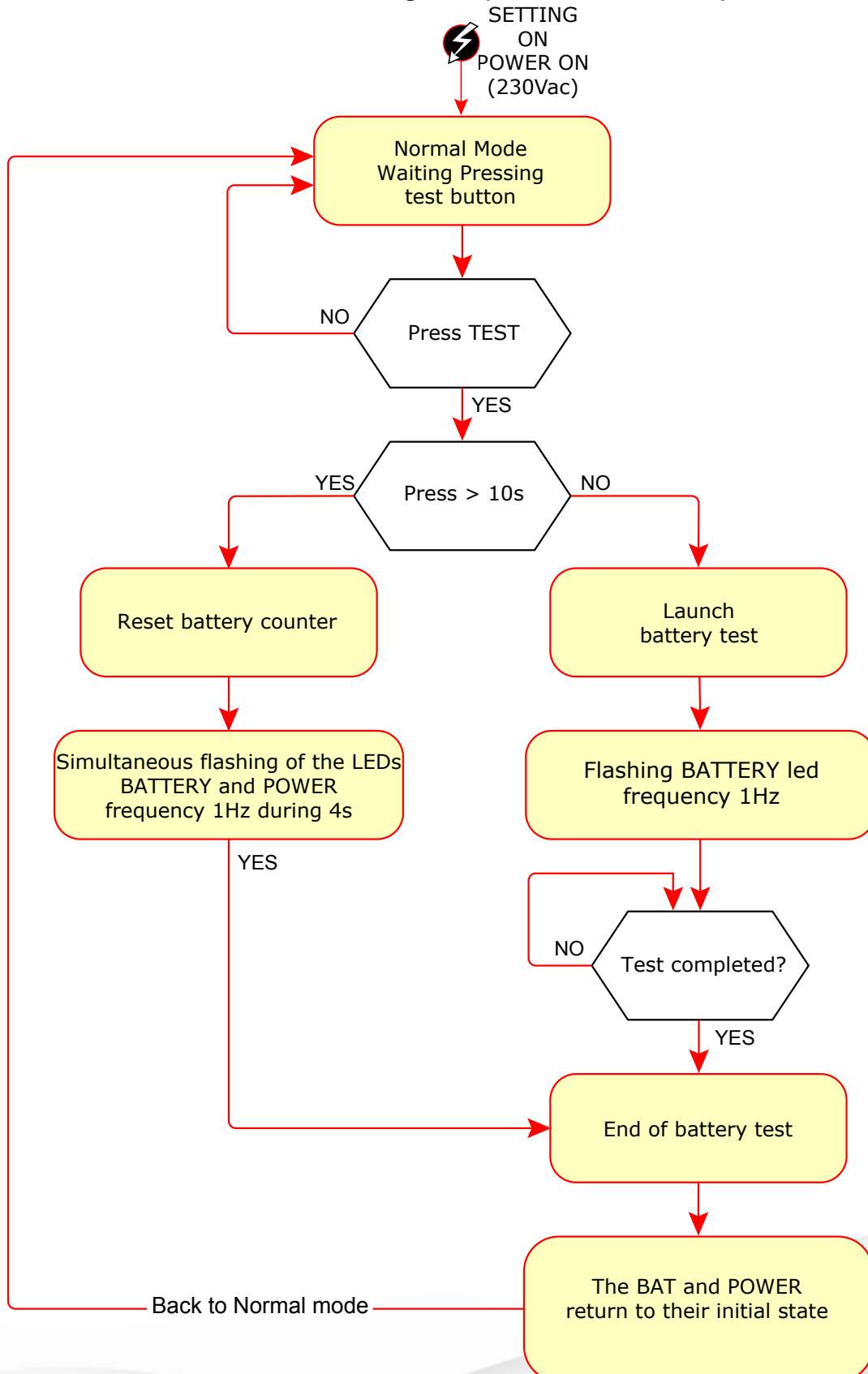
## LED POWER

Green	Off	No 230 Vac power supply
Green	Flashing	Test in progress (see diagram "Battery TEST")
Green	Fixed	Power ON

# WORKING

## TEST BUTTON (Diagram)

Pressing the button activates the battery test phase (flashing of the **LED Battery OK**). After one minute if the indicator lights up fixed, the battery is functional.



# WORKING

## RESET BUTTON

### a. SHORT PRESS 1s (RESTART) :

- Simultaneous flashing Battery OK and Power (green LEDs) frequency 3Hz for 2s.
- Attempt of DHCP Mode for the automatic detection of an ONE425 router (Otherwise Static Mode enabled, IP Address, Mask and Default Gateway)

### b. LONG PRESS 5s (FACTORY RESET):

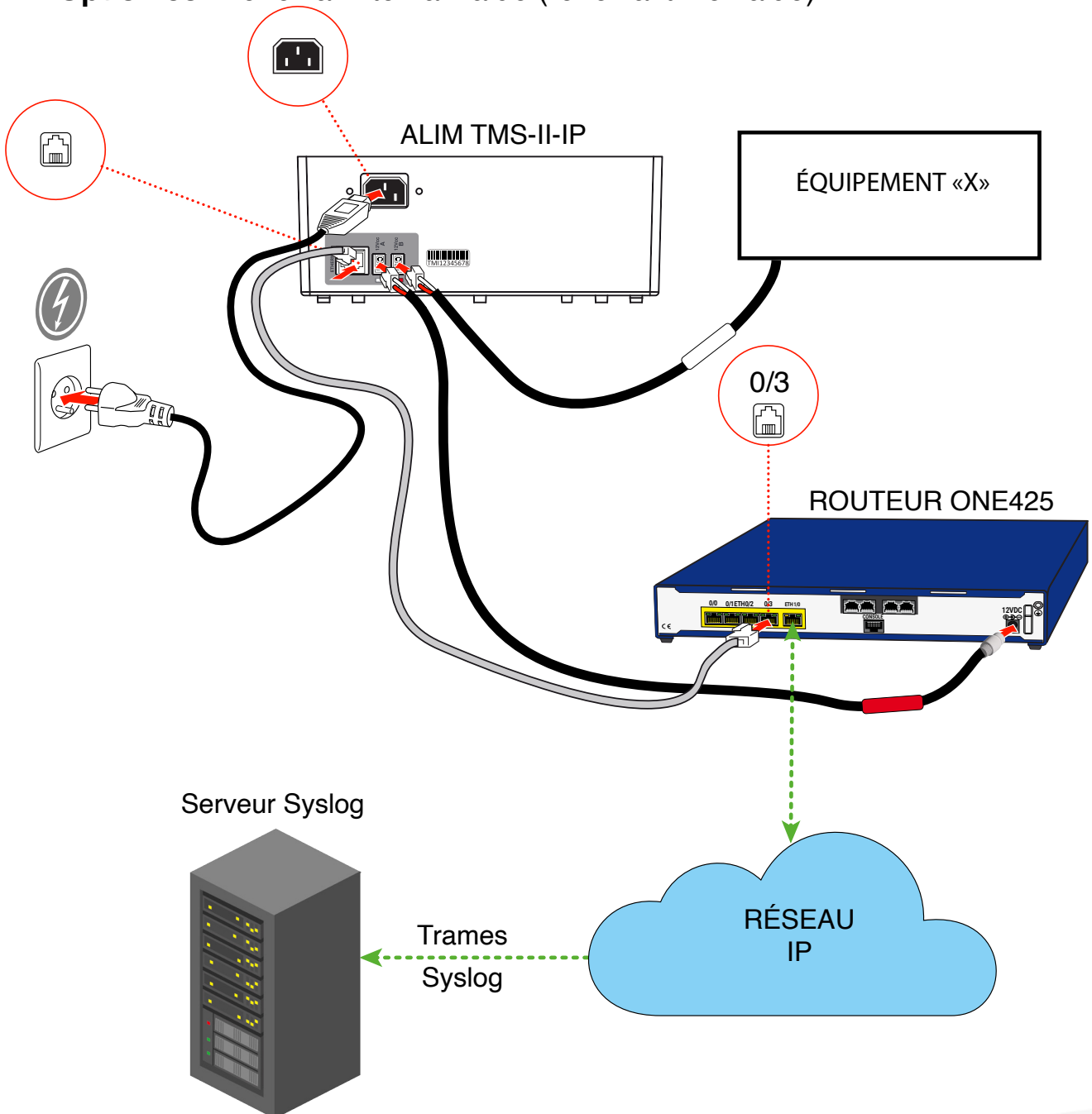
- Slow flashing red IP LED.
- Loading the factory configuration.
- Password reset.
- IP Address, Mask and Default Gateway
- Wait for user action, see HTML administration page

# OPERATING MODE

## DHCP MODE WITH ONE425 ROUTER:

An ONE425 router connected to the TMS-II-IP ALIM takes on the role of DHCP server and Syslog and sends the following instructions at the start of communication with power supply.

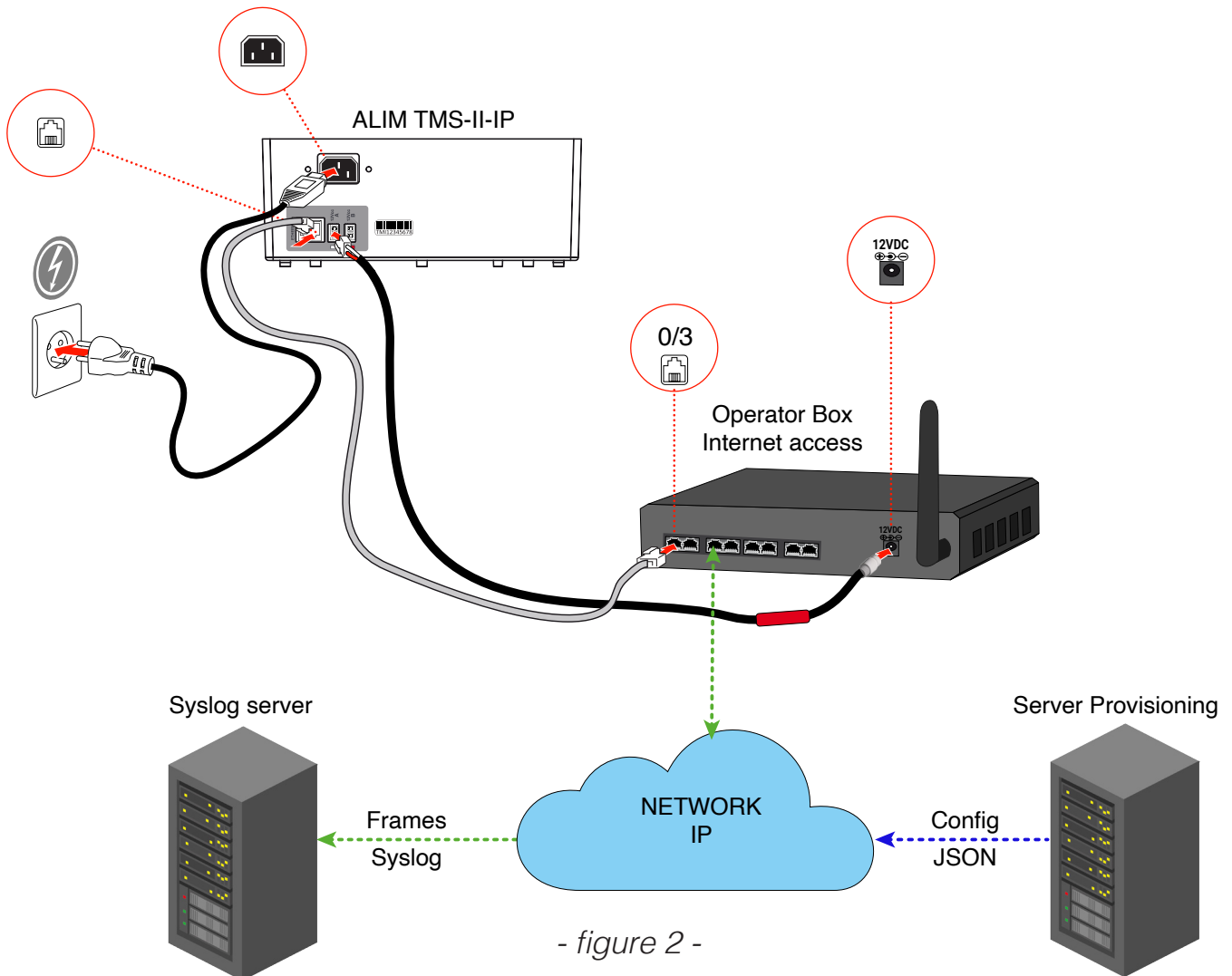
- **Option 2:** Time offset (TimeOffset)
- **Option 54:** Server identifier (server identifier)
- **Option 58:** Renewal interval value (renewal time value)



- figure 1 -

# OPERATING MODE

## STAND-ALONE MODE (without ONE425 router)



1. On commissioning, the TMS-II-IP power supply connects to the ANEP server of provisioning to retrieve its configuration
2. Transmission of its status (power supply + battery) to the Syslog server

### a. DHCP

The TMS-II-IP works with a dynamic IP address assigned by the server.

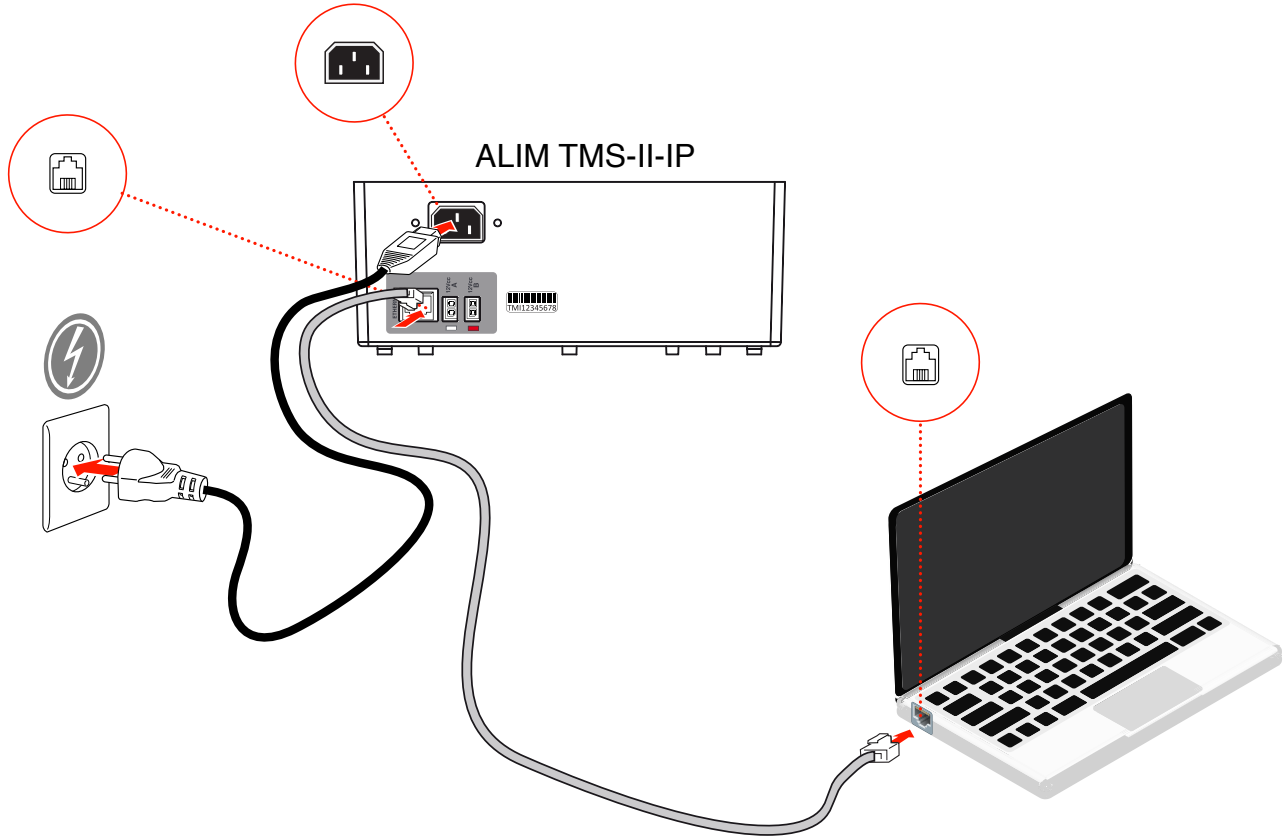
### b. STATIC IP ADDRESS

The TMS-II-IP ALIM works with a fixed IP address defined either by the user either by default (factory).

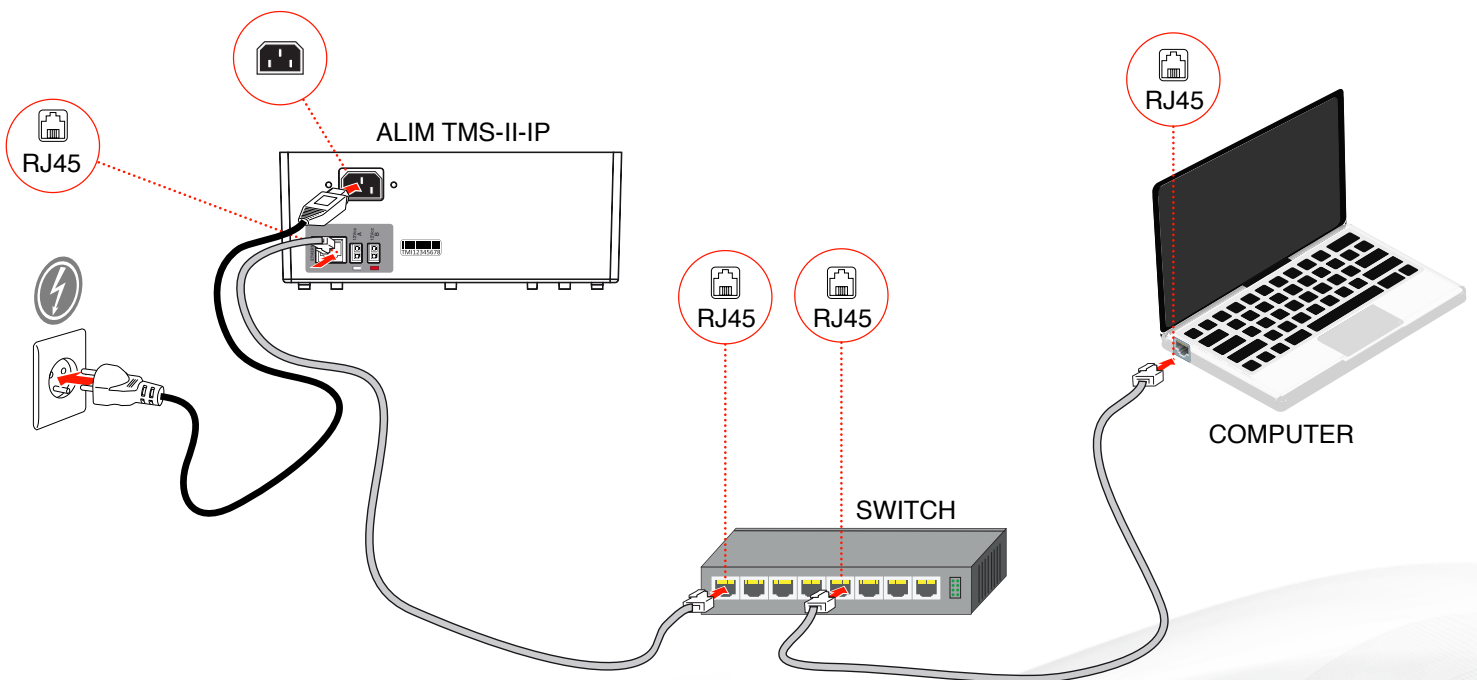
# HTML ADMINISTRATION

## PC CONNECTION

2 connection possibilities



- figure 3 - Direct connection of a PC



- figure 4 - Connecting a PC via a Switch



# HTML ADMINISTRATION

## HTML LOGIN

### ALIM-TMS II-IP

admin
Password

CONNECTION
------------

**Login:** admin

**Password:** admin (default)

**Note :** To reset the default password, see chapter "Reset button" (p.14)

## HTML ADMIN PAGE

### ALIM-TMS II-IP

Version : s918R100F  
Mac address : XX-XX-XX-XX-XX-XX

Static Mode

Ip Address	192.168.0.20
Network Mask	255.255.255.0
Gateway	192.168.0.254

Manual DNS

Primary DNS	8.8.8.8
Secondary DNS	1.1.1.1

Syslog Server

Ip Address	syslog.anepanywhere.com
Port	514
Cyclic send (1-3600 min)	5
Facility	local0 <span style="float: right;">▼</span>

Provisioning server

Ip Address	https://provisioning.anepanywhere.com
------------	---------------------------------------

Change password	Factory settings	Save	Undo
-----------------	------------------	------	------

# HTML ADMINISTRATION

## FIELD DESCRIPTIONS:

IP addresses are in IPv4 format: xxx.xxx.xxx.xxx

## STATIC MODE

### If checked

- Static mode activated
- The IP address, Network mask and Gateway fields are active and editable

### If unchecked (default)

- DHCP Mode Enabled
- The IP address, Network mask and Gateway fields are inactive

## DNS

- **Preferred DNS:** Primary DNS server
- **Alternate DNS:** Secondary DNS server

## SYSLOG SERVER

### If checked

- Sending syslog frames to the customer's Syslog server or to the ONE425 router if it is connected
- The IP address, port and cyclic send fields are active and modifiable

### If unchecked (default)

- No sending of syslog frames
- The IP address, port and cyclic send fields are inactive

### **Cyclic send (min.)**

- Periodicity of sending Syslog frames
- Min value and max value = 1 Min and 3600 Max

### **Facilities**

- Default: local0; (local0-local7)

## PROVISIONING SERVER

### If checked

- The configuration retrieved from the provisioning server contains the URL address of the Syslog server to which the ALIM TMS-II-IP must send Syslog frames
- Get Provisioning button is active
- The IP address field is active and editable

### If unchecked (default)

- No power-on configuration recovery action
- Get Provisioning button is grayed out and disabled

# HTML ADMINISTRATION

## BUTTON DESCRIPTIONS :

### CHANGE PASSWORD

Password change

- 1- Enter the current password
- 2- Entering the new password and confirming it
- 3- Click on **SAVE**: Save the new password, then return to the HTML administration page
- 4- Click on **UNDO**: Cancel the modifications, then return to the HTML administration page

### GET PROVISIONING

Retrieving the config provided by the provisioning server

- 1- Force the recovery of the config
- 2- Display of the recovered config
- 3- Click on **SAVE**, to save and run the config
- 4- Click on **UNDO**, to cancel the modifications

### FACTORY CONFIG

Display of the factory config (see next page)

- 1- Display of the factory config
- 2- Click on **SAVE**, to save and run the config
- 3- Click on **UNDO**, to cancel the modifications

### SAVE

Saves and applies the values entered in the page

**Note:** Clicking on the SAVE button disconnects the IP connection before restarting it.

### UNDO

Cancels the values entered in the page and displays the previous configuration

# ADMINISTRATION HTML

## FACTORY CONFIGURATION VALUES

### **Static Mode enabled**

IP address : 192.168.0.20  
Network mask : 255.255.255.0  
Gateway : 192.168.0.254

**Primary DNS** : 8.8.8.8

**Secondary DNS** : 1.1.1.1

### **Syslog server enabled**

IP address : [syslog.anepanywhere.com](https://syslog.anepanywhere.com)  
Port : 514 by default ; (0-65565)  
Periodicity : 10 (min)  
Facility : local0 by default ; (Min: local0 - Max: local7)

### **Provisioning server enabled**

IP address : <https://prov.anepanywhere.com/< version >/conf/<Mac addr>>

# IP-COMMUNICATION

## LIST OF SYSLOG ALARMS

DESCRIPTION	
1	Test: TMS-II-IP test cannot be performed
2	Test: TMS-II-IP test passed
3	Test: TMS-II-IP test failed
4	No 230 Vac power supply The TMS-II-IP PSU is now powered by the battery
5	No 230 Vac power supply. The TMS-II-IP PSU is now powered by the battery but the battery level is insufficient
6	The TMS-II-IP PSU is powered by the 230 Vac mains and the daily battery test is correct
7	The TMS-II-IP PSU is powered by the 230 Vac mains and the daily battery test is "NO OK". The battery is either disconnected or needs to be replaced

## TABLE OF STATES

ALTERNATING CURRENT (AC)	BATTERY
ON	OK
ON	KO
OFF	UP (charged)
OFF	DOWN (low)

# IP-COMMUNICATION

## PROVISIONING

On power-up, and if a One425 router is not connected to the TMS-II POWER SUPPLY IP, it tries to connect to a provisioning server.

The server recognizes the power supply by its Mac address and delivers the customer-specific configuration

The provisioning server hosts the configuration desired by the customer. If the client is not recognized, then a default configuration will be transmitted

The request is made on < version >

<https://prov.anepanywhere.com/< version >/conf/<Mac addr>>

**For example :**

Mac adresse **12:34:56:78:90**

<https://prov.anepanywhere.com/v1/conf/12:34:56:78:90>

Documentation : <https://prov.anepanywhere.com/docs>

The configuration file sent to the power supply is in JSON format



# TROUBLESHOOTING / FAQs

Condition	Causes	Solution
<b>LED Power Management</b>	Green off: No power supply 230 Vac power supply	Press the Test button to perform a battery test to determine the battery status (flashing green). At the end of the test the LED should be solid green.
<b>LED Battery Management</b>	LED off: the battery is dead.	Disconnect one terminal from the battery and measure the voltage with a multimeter.
	Green flashing battery voltage is below 12V	Disconnect the battery and charge it to 13V
<b>LED IP Management</b>	IP LED off	Check the network status and verify that the Ethernet cable is properly connected to the equipment.
	Orange IP LED steady	DHCP operating mode, the power supply is wired to an Ekinops router.
	Orange IP LED flashing fast	DHCP operating mode, power is wired to another product.
	Orange IP LED flashing fast	Operating mode FIXED IP address, waiting to join the provisioning server.
	Green IP LED flashing slowly	Successful access to the provisioning server, attempted transmission to the Syslog server.
<b>Powe Supply Management</b>	The two fuses F2 and F6 battery and 12V output are not present or out of order	Replace and respect the indicated values of the fuses. F2 : Radial 3.15A fast F6 : Radial 4A slow
	The F2 battery fuse is not present or out of order	The equipment works only on 230 Vac. Battery management not possible. Replace and respect the value of the value of the fuse. F2 : Radial 3.15A fast
	The fuse F6 output 12V is not present or out of order	The equipment works only on battery. Autonomy of 1 hour (depending on the battery charge level). Replace and respect the value of the value of the fuse. F6 : Radial 4A slow

## **NOTES**

ANEP applies a method of continuous development, therefore, ANEP reserves the right to make changes and improvements to any product described in this document, without notice.

ANEP cannot under any circumstances be held liable for any loss of data, as well as any particular damage or incident, resulting from poor implementation or non-compliant use of the product.

The contents of this document are provided “as is”. No warranty of any form, express or implied, is made as to the accuracy, reliability, or content of the document. ANEP reserves the right to revise this document or withdraw it at any time without notice.

## **WARRANTY**

This product is guaranteed for **3 years** from the date of invoicing of the product, with the exception of batteries and cells which are guaranteed for **6 months**.

However, this guarantee does not apply in the event of:

- Use that does not comply with the instructions in this manual.
- Deterioration from a cause external to the product (act of vandalism, fire, flood, storm, overvoltage...).
- Installation carried out by an unqualified installer not approved by ANEP.
- Modifications or repairs carried out by entities not approved by ANEP.
- Opening of the product by a non-ANEP approved person.



### **IMPORTANT**

Particular care and rigor must be taken in the cabling and connection, in order to obtain the best sound results and optimal reliability of the product.

The equipment must be connected, installed and programmed according to the rules of the trade.



THE AFTER SALES SERVICE IS PROVIDED BY

**SAVTEL**

4 bis rue de Paris 94470 Boissy-Saint-Léger

Tel : +33 1 45 98 34 44

