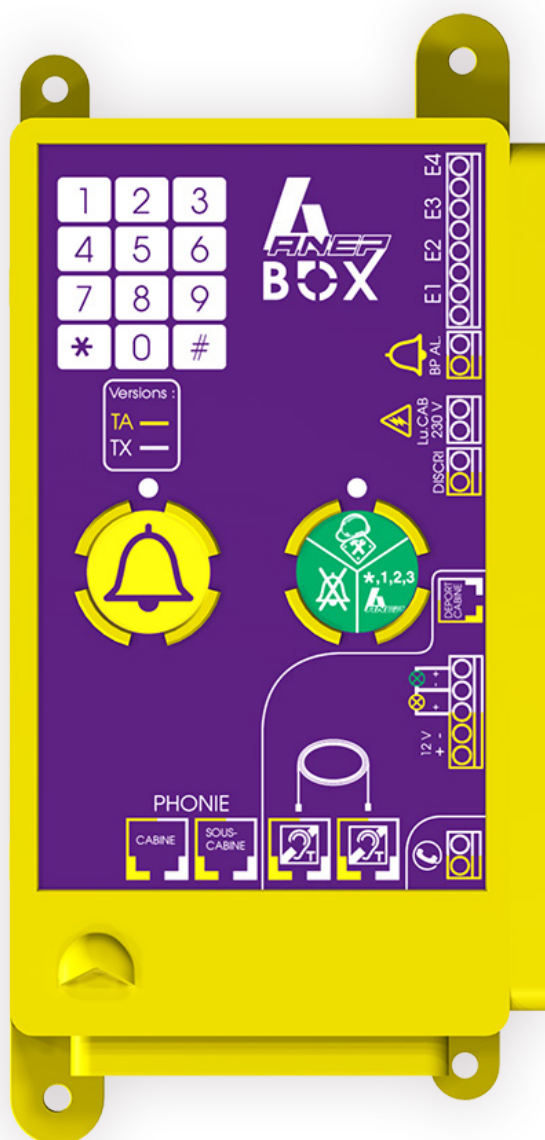


ANEP BOX TX

MULTI-ELEVATOR'S VOICE AND
INTERCOM SCALABLE SYSTEM



1 - RECOMMENDATIONS

This documentation is aimed at trained and experienced lift professionals.

1.1 - Installation / Commissioning

Therefore, during an intervention on an elevator in order to install the **ANEP** materials, proper lift safety rules must be followed.

- Use of " **Personal Protective Equipment** ".
- Consignment of the installation before carrying out any electrical connections.
- **Reach a safe place before any shaft intervention.**



Before handling any **ANEP equipments**, make sure the latters are **SWITCHED OFF**.

On any "ANEPBOX" equipment (TA, TX, TX+,...), all devices must be connected **BEFORE** any connection to the phone line.

It is essential to connect all peripherals BEFORE connecting the telephone line :

- Cabin alarm button (NO or NC **dry contact**)
- Cabin faceplate (MIDIS) or speaker and microphone (BA-mini-GHP)
- Under-cab audio (BOX-SC)
- ANEP **ALIM CONTROL-II** type 230 / 12V battery-backed and controlled power supply (if auditory magnetic loop and/or Yellow/Green LEDs)

1.2 - Pendant cable

We advise you to fit the elevator with a screened travelling cable to ensure an excellent voice quality in order to avoid any disturbance that could lead to any malfunctions.

The operation of telephone equipment depends to a large extent on the characteristics of the telephone line.

Special care must be taken to ensure that the telephone line in order not to degrade the technical characteristics standardized.

Check the wiring, especially if it connects multiple elevator machines.

- Cable type, Cable routing (low/strong current), Parasites (VMC, generators), etc...

SUMMARY

1 - <u>RECOMMANDATIONS</u>	<u>Page 2</u>
1.1 - Installation / Commissioning	
1.2 - Pendant cable	
2 - <u>GENERAL</u>	<u>Page 6</u>
2.1 - Technical features	
3 - <u>BOX TX CONNECTION</u>	<u>Page 7</u>
3.1 - Sensor connection	
3.2 - Connection of POSITION / OFFSET sensors [E3] and [E4]	
3.2.1 - Elevator with short floor	
3.3 - PO and PF sensor connection	
3.3.1 - Elevator in single access	
3.3.2 - Double access lift	
4 - <u>CONNECTING YELLOW & GREEN LEDS</u> (If MIDIS absent)	<u>Page 12</u>
4.1 - Yellow & Green LED programming / EN81-28 2003 or 2022 standards	
5 - <u>CABIN ALARM DISCRIMINATION</u>	<u>Page 14</u>
5.1 - Unvalidated discrimination	
5.2 - Internal discrimination	
5.3 - Forced Alarm	
6 - <u>ADDRESS / TRANSMITTER NUMBER PROGRAMMING</u>	<u>Page 15</u>
6.1 - Addressing Module number	
7 - <u>PROGRAMMING</u>	<u>Page 17</u>
7.1 - Access to programming	
7.2 - Programming Mode Output	
7.3 - Schedule table of telephone numbers	
7.4 - Choice of telephone network	
7.5 - Standard mode	
7.5.1 - Transfer method	
7.5.2 - Table for single-communication programming.	
7.5.3 - Dual call «mode configuration»	

7.6 - Autocom mode and/or low line voltage

7.7 - GSM mode

7.8 - Number Scheduling

7.8.1 - Programming Memory 101 (Main Voice Call)

7.8.2 - Programming memory 102 with a pause

7.8.3 - Delete a number

7.9 - Allocation of memories

7.9.1 - Transfer Method

7.9.2 - Table for one-call programming

7.9.3 - Configuring “dual call” mode

7.10 - Validations and settings

7.10.1 - Acknowledgement of blocked person call (EN81-28) by #1

7.10.2 - Communication Time

7.10.3 - Adjustment of the sound level of the cabin voice

7.10.4 - Validating the recurring call

7.10.5 - Adjustment of gains in Interphone Machinery and Fire Department mode

7.10.6 - Cyclic Test / Periodicity

7.10.7 - Listening to data exchange

7.10.8 - Change programming access code

7.10.9 - Cabin light control timer

7.10.10 - Entrance Cabin Light as entrance Start/End Visit Maintenance

8 - EXPLOITATION

Page 27

8.1 - Cabin alarm test

8.2 - Cabin roof technician alarm

8.3 - Automatic on-hook (phone mode)

8.4 - Call Number sequence

8.5 - Green button features

9 - BOX TX FUNCTIONS

Page 29

9.1 - Voice synthesis on user alarm blocked

9.2 - Alarm siren

9.2.1 - Ability to activate the siren whenever the cabin alarm button is pressed

9.3 - Setting the BOX TX Module Clock

9.3.1 - Local Time Reading

9.4 - Floor Statement

9.4.1 - Validation of statements

9.4.2 - Devalidation of statements

9.4.3 - Keyboard Level Programming

9.4.4 - Indication of the announcement period of the floors

10 - VOICE OF SERVICES / ALARM ACKNOWLEDGEMENT

Page 33

10.1 - Validation of «Alarm in Progress» & «Technician Arrival» ads

10.2 - Devalidation of the «Alarm in progress» and «Technician arrival» announcements

10.3 - Cabin alarm acknowledgement

10.4 - Remote "Alarm In Progress" Reset

10.5 - Event Transmission and Special Codes

11 - ONLINE IDENTIFICATION OF THE PLACE OF CALL

Page 35

11.1 - Keyboard identification programming

11.2 - Reading identification through keyboard

11.3 - Saving from saved ID

11.4 - Dissemination of identification

12 - TESTING THE SPEAKER AND MICROPHONE

Page 39

12.1 - Testing on «recurring call»

12.2 - Operator on-demand testing

13 - TESTING THE SPEAKER AND MICROPHONE

Page 40

13.1 - Commissioning controls

13.1.1 - Commissioning controls

13.1.2 - Monitoring control

13.1.2.1 - Verify Monitoring Mode Validation:

13.1.2.2 - Check the operation of the summaries

13.1.2.3 - Fault Transfer Verification

14 - KEYBOARD SCHEDULES TABLE

Page 42

15 - NOTES / SAVTEL

Page 44

2 - GENERAL

2.1 - Technical features

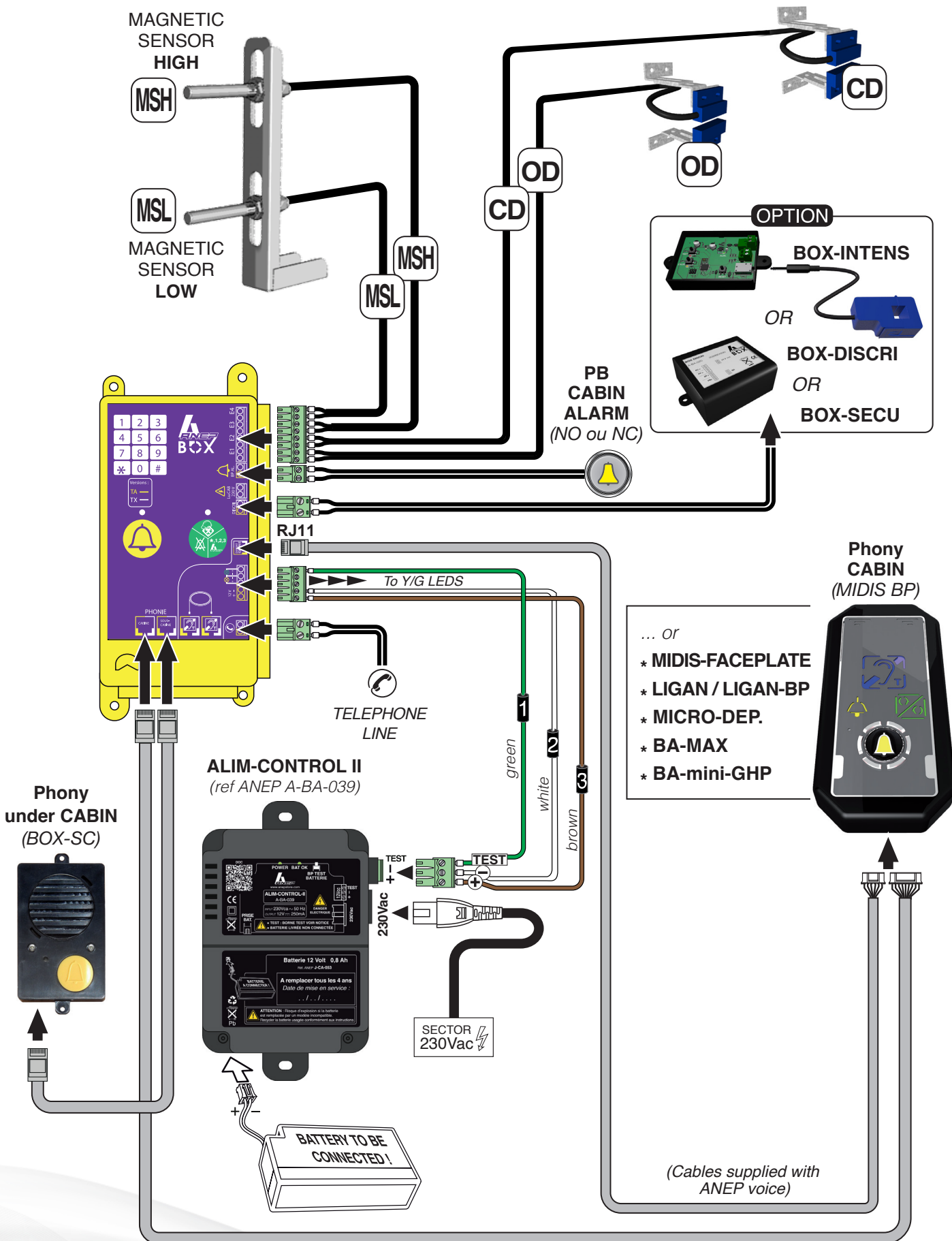
- Compliant with the European standards EN81-28 and EN81-70*
- Voice integrated or remote modules
- Three points vocal system by addition of the modules BOX-SC MIC or BOX-SC, BOX-F
- Fastening on lift car roof
- Remotely powered by analogical telephone line or powered if the magnetic loop or the green – yellow lights are connected
- Multiple frequency dialling mode
- Automatic hang-up
- Volume and acoustics setting (local or remote programming)
- Call location acknowledgment
- Call location identification is sent to ANEPCenter® or on anepanywhere.com
- Programming keyboard with 12 buttons
- 1 input from the lift car alarm button (NO or NC)
- 1 button integrating three functions: Blocked person alarm acknowledgment, arrival/departure of a technician and test call to the ANEP vocal server
- 1 alarm button technician lift car roof
- 6 telephone numbers memories
- Automatic redial of the second number in case of busy or unanswered phone number
- Memories on EEprom without any battery or maintenance
- Cyclical test (1, 2 or 3 days)
- Remote programming on ANEPCenter®
- Synthesis circuit allowing a floor announcement function and the broadcast of vocal messages
- 1 input “Lift car Light”
- Lifts operation control

Factory setting

- | | |
|----------------------------|-----------|
| • Programming code : | * 1 2 3 |
| • Communication duration : | 3 minutes |
| • Hang-up : | Automatic |
| • Cyclical test : | 3 days |

* EN81-28 standard: remote monitoring for new elevators since October 2003
EN 81-70 standard: Safety rules for manufacture and installation of elevators
Part 70: Accessibility to lifts for all persons including persons with disabilities.

3 - BOX TX CONNECTION



- ... or
- * MIDIS-FACEPLATE
 - * LIGAN / LIGAN-BP
 - * MICRO-DEP.
 - * BA-MAX
 - * BA-mini-GHP



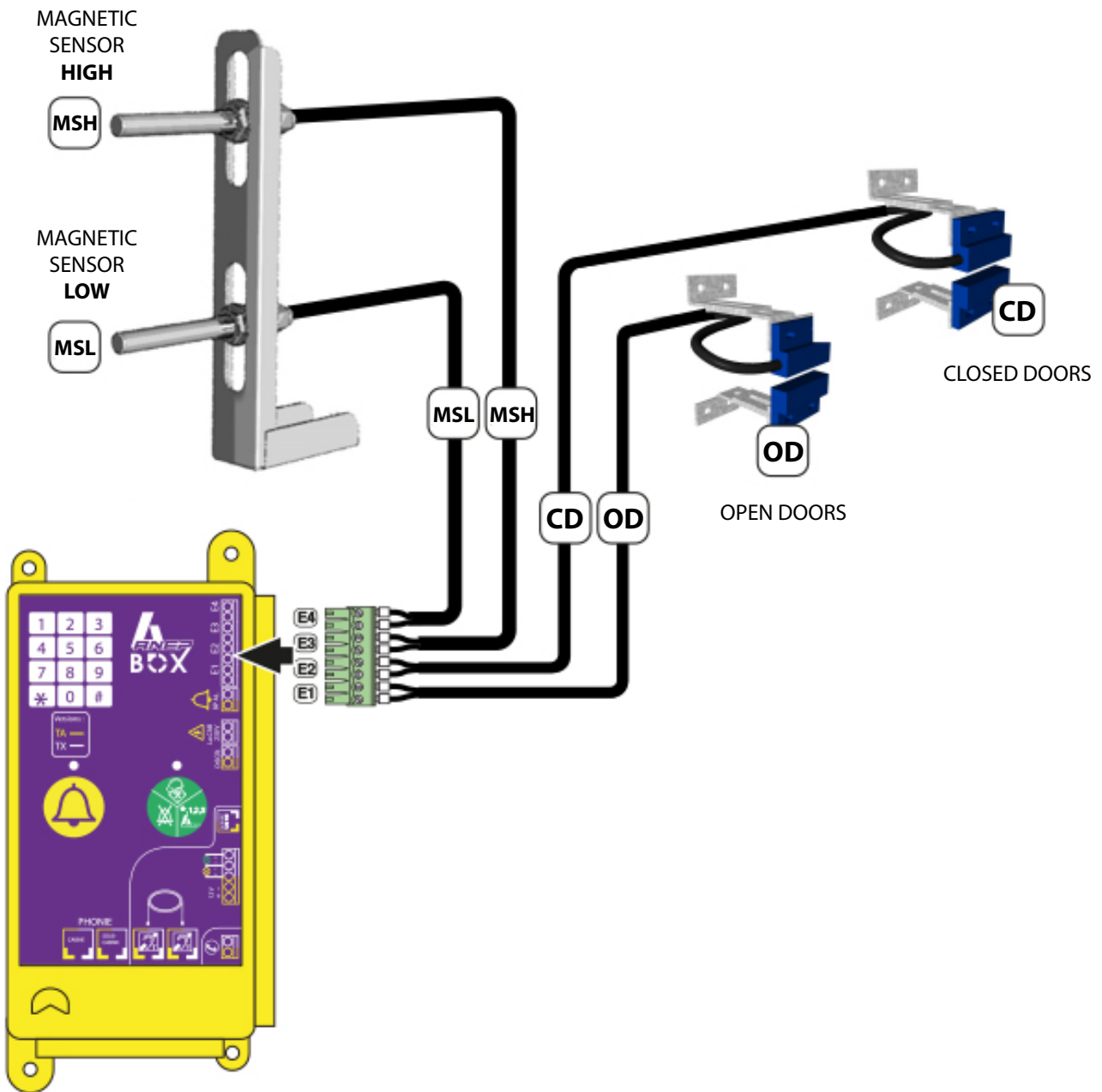
3.1 - SENSOR CONNECTION

Connection of the sensors the information on opening/closing of the car door and movement of the lift is to be connected to the inputs E1 to E4 of the ANEP BOX.

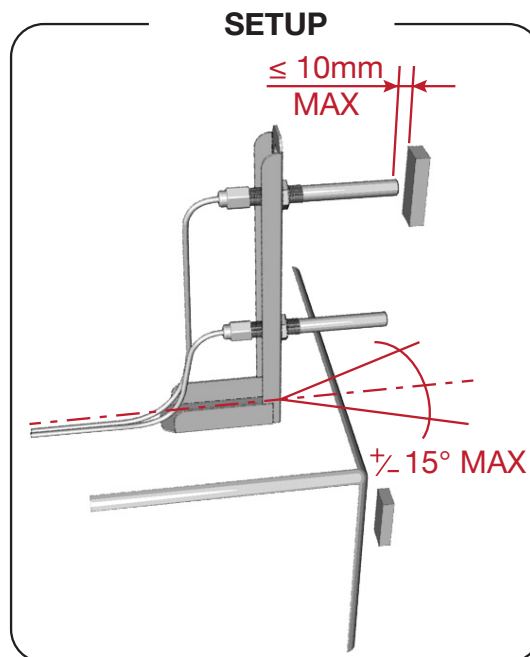
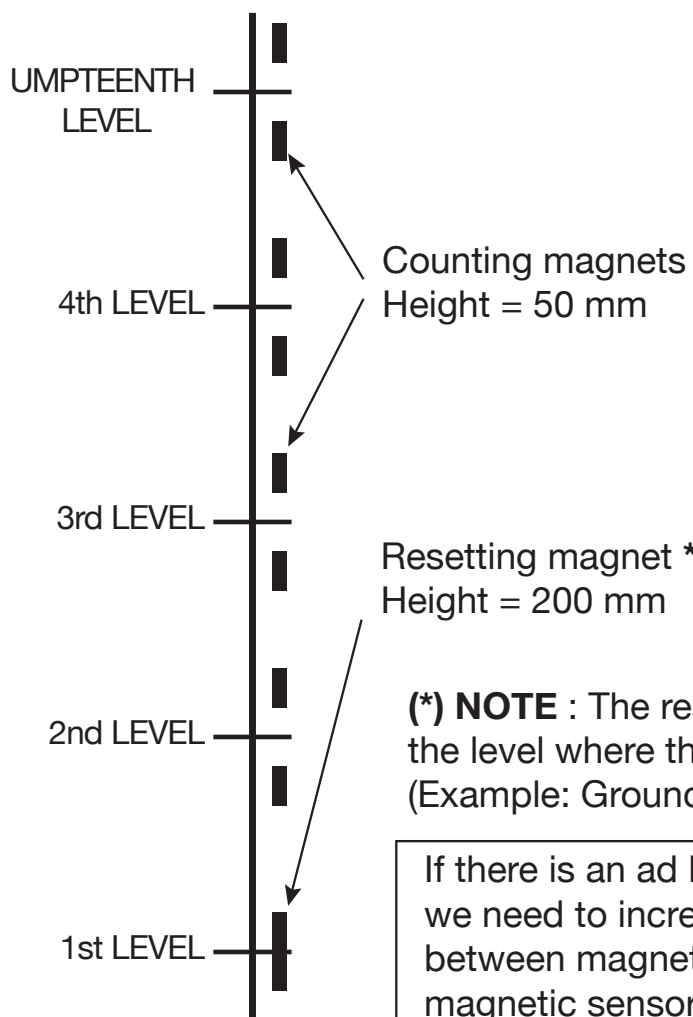
These inputs receive dry contacts free of any potential.

- E1** - Cabin door **OPEN**
- E2** - Cabin door **CLOSED**
- E3** - Magnetic sensor **HIGH**
- E4** - Magnetic sensor **LOW**

Note: These four pieces of information are mandatory for the operation of the statements.

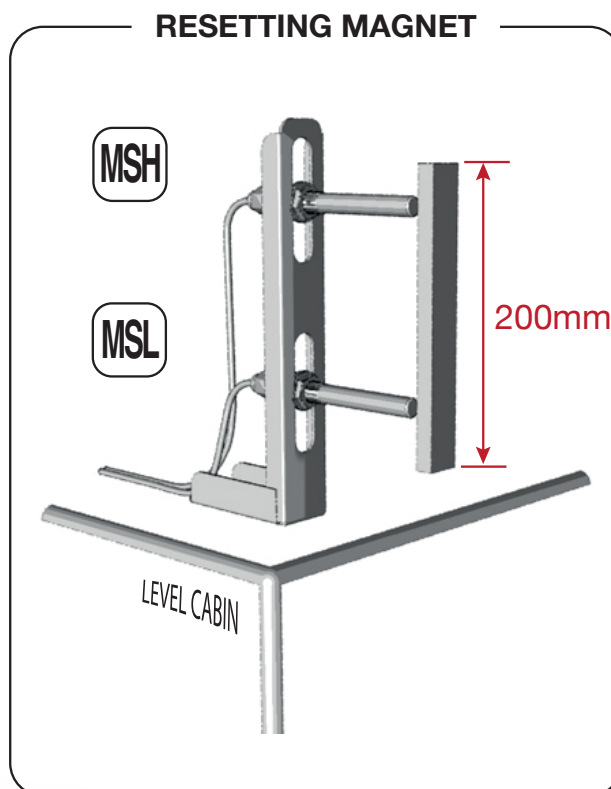
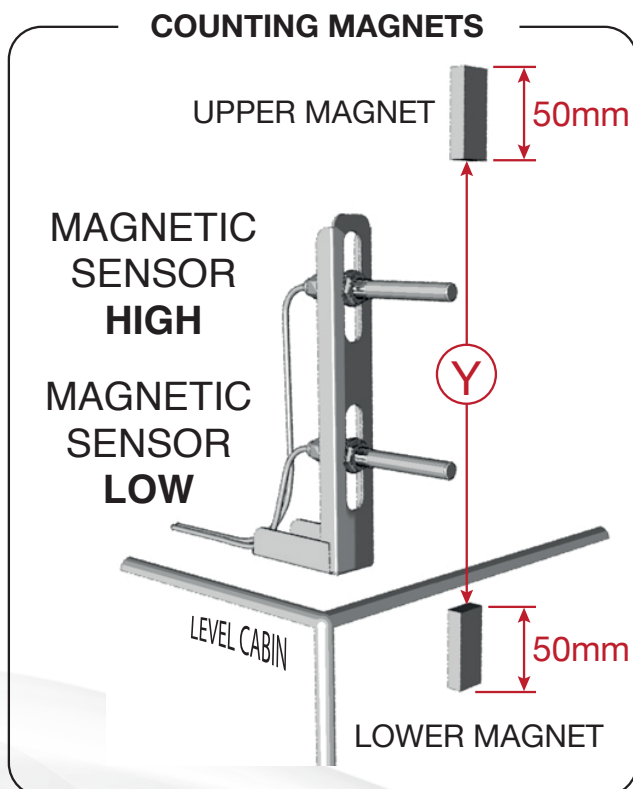


3.2 - CONNECTION OF POSITION / OFFSET SENSORS [E3] AND [E4]



(*) NOTE : The resetting magnet is to be placed at the level where the cab passes most often (Example: Ground floor for an R+4)

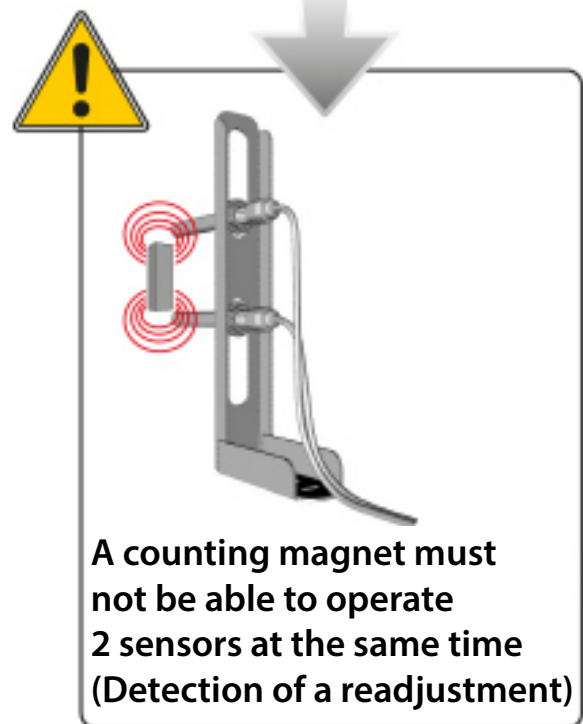
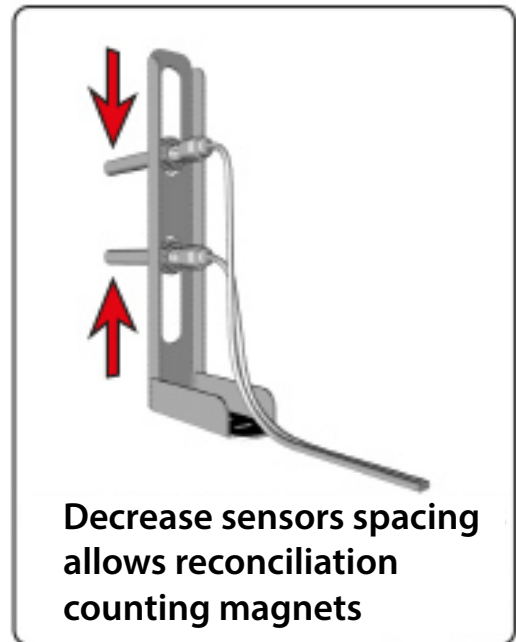
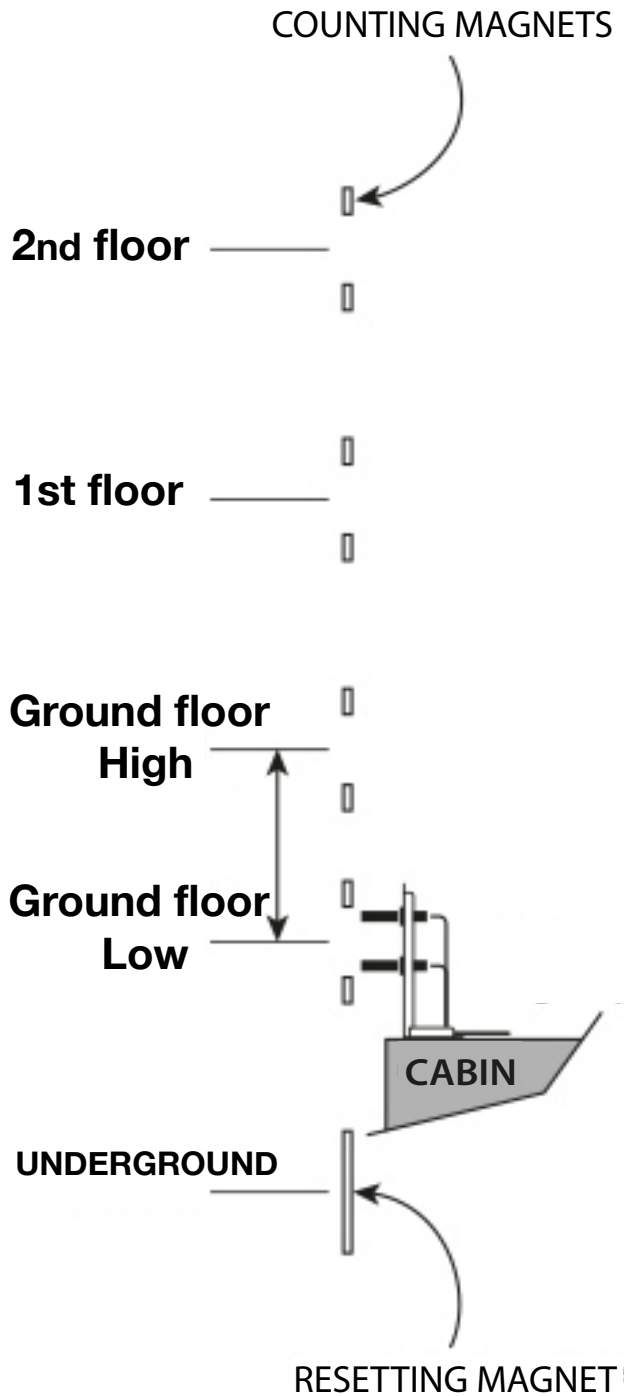
If there is an ad lag in operation, we need to increase the distance between magnets, or increase the distance Y magnetic sensor.



3.2.1 - Elevator with short floors

The minimum value for short stage detection is 700mm between two levels (stage information).

ELEVATOR SHEATH LIFT (example)



3.3 - Connecting sensors PO* and PF** [E3] and [E4]

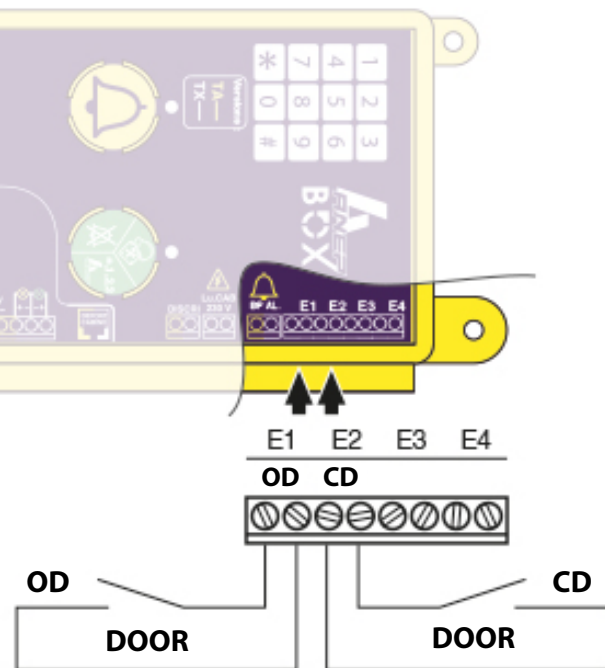
* OD = Open Doors

** CD = Closed Doors

3.3.1 - Elevator in single access

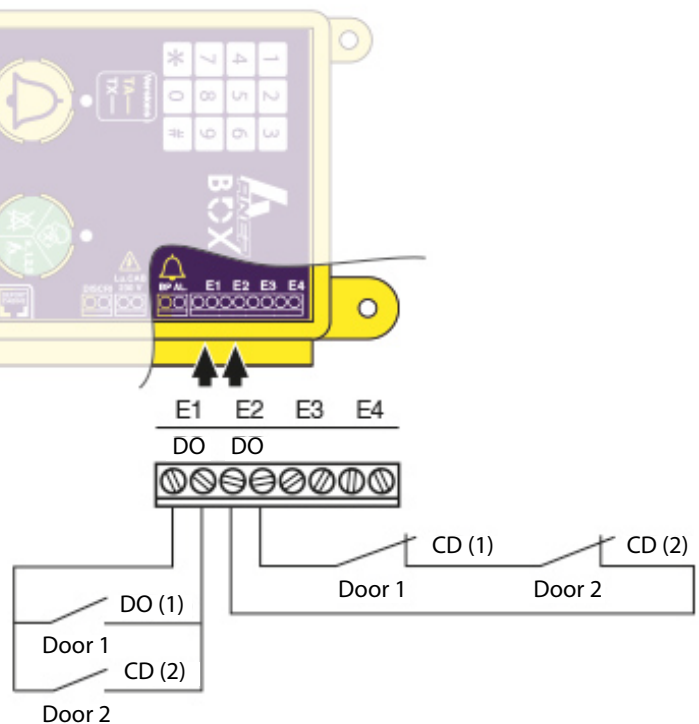
The OD/CD gate information is to be connected the inputs E1 (OD) and E2 (CD) and E2 (CD)

to



3.3.2 - Double access lift

OD/CD door information must be doubled. (Parallel OD and Serial CD)



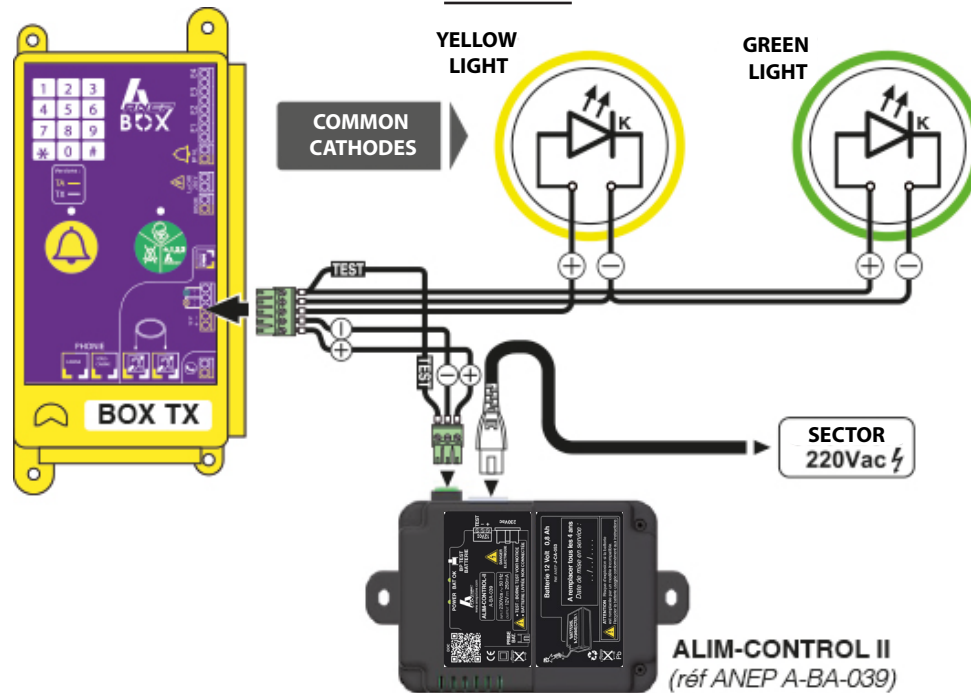
NOTE: The PF gives the top start to the GONG. If the synthesis starts when the elevator stops before the door is opened, a PF SENSOR is incorrectly set.

4 - YELLOW & GREEN LED CONNECTIONS (if MIDIS is not present)

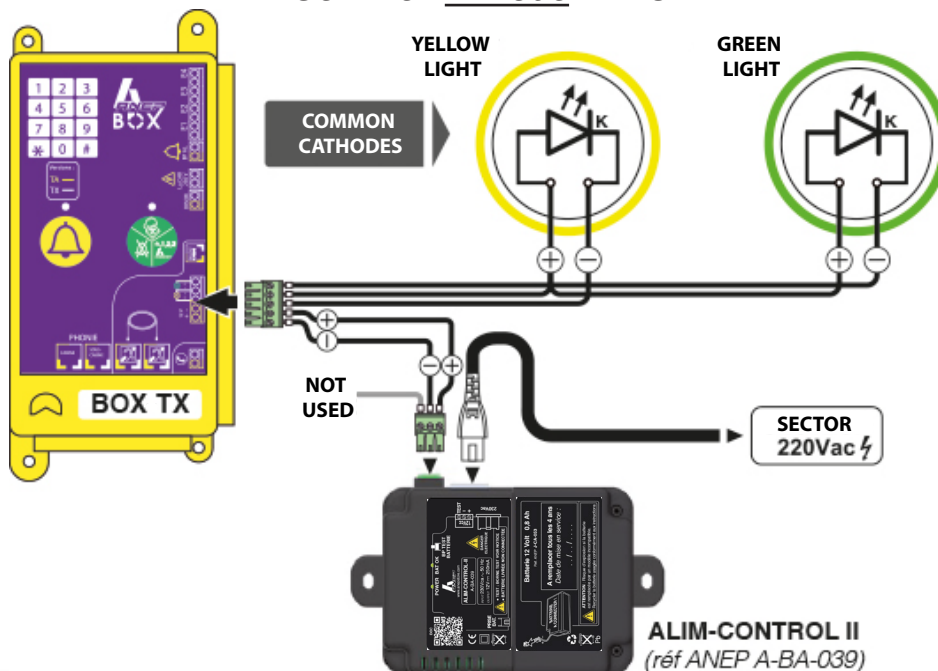
- Connect the indicators used in the cab according to the standard NF EN 81.28 of 2003 or 2022 and 81.70 (12Vcc / 140 mA max per indicator) (see Page 15)
- Connect an **ALIM-CONTROL 2** 12Vcc (9 to 15Vcc) power supply

No such connection to be made if using MIDIS phony

Common cathode LEDs



Common Anode LEDs



4.1 - Yellow & Green LED Prog. according to EN81-28 standards of 2003 or 2022

After entering the programming access code

- Depending on the type of standard you want for LED management, press **# 417 #**, **or # 418 #**, **or # 419 #** in turn



STANDARD EN81-28 2003	OFF ●	OFF ●	Sleeping device / NORMAL MODE	# 417 #
	ON ✱	OFF ●	Alarm On, Call In Progress	
	OFF ●	OFF ✱	In communication with a call center operator	
	OFF ●	OFF ●	Communication completed, line hung up, Alarm Acknowledged (remote or onsite)	

STANDARD EN81-28 2022	OFF ●	OFF ●	Sleeping device / NORMAL MODE	# 418 #
	ON ✱	OFF ●	Alarm On, Call In Progress	
	ON ✱	ON ✱	In communication with a call center operator	
	ON ✱	OFF ●	Communication completed, line hung up	
	OFF ●	OFF ●	Acknowledged alarm (remote or onsite)	
	FLASHING ✱●✱●	FLASHING ●✱●✱	Scheduled cyclic test defect	

STANDARD EN81-28 2022 YELLOW OFF	OFF ●	OFF ●	Sleeping device / NORMAL MODE	# 419 #
	ON ✱	OFF ●	Alarm On, Call In Progress	
	ON ✱	ON ✱	In communication with a call center operator	
	OFF ●	OFF ●	Communication completed, line hung up	
	OFF ●	OFF ●	Acknowledged alarm (remote or onsite)	
	FLASHING ✱●✱●	FLASHING ●✱●✱	Scheduled cyclic test defect	

ANEP BOX keyboard programming

After activating the programming access mode "* 123"	
# 417 #	Validates Yellow and Green LED management to 2003 standards
# 418 #	Validates Yellow and Green LED management to 2022 standards
# 419 #	Validates the management of the yellow and green LEDs according to 2022 standards with yellow LED off after communication (end of alarm)

5 - CABIN ALARM DISCRIMINATION

- Alarm discrimination is used to prevent untimely and unsubstantiated alarms from being transmitted due to misuse or malicious intent.

The discrimination can be carried out either internally or externally or not validated.

5.1 - Unvalidated discrimination

This configuration mode allows the cabin alarm to be taken into account permanently.

In programming mode, (see Page 11)

- Press the # **307** # keys successively
- **ANEP-BOX TX** emits 3 beeps.

5.2 - Internal discrimination

In this mode, ANEP BOX TX performs a processing taking into account the opening/closing of the car and landing door as well as the movement of the elevator.

The alarm is discriminated against:

- When moving the lift,
- During the first 15 seconds after the elevator is switched upstairs,
- When the cabin and landing doors are both open.

The inputs **E1**, **E2** receive the contacts **OD**, **CD** of the cabin door.

The DISCRI entrance can receive the image of opening/closing the landing door:

- A voltage (5Vcc to 230Vac) applied to the DISCRI input indicates the LANDING DOOR CLOSURE. In this case:
 - Regardless of the condition of the cabin door, the alarm is validated.
- No voltage applied to the **DISCRI** input indicates the **DOOR IS OPEN** landing. In this case:
 - The cabin door is CLOSED: the alarm is validated,
 - The cabin door is OPEN: the alarm is discriminated.

In a time when a technician is present, discrimination is not achieved.

This mode of treatment requires the presence of a 12V supply voltage. In this configuration mode and in the absence of the 12V, there is no discrimination.

In programming mode,

- ☞ Press # **308** # in succession **ANEP-BOX** emits 3 Beeps

5.3 - Forced Alarm

When the discrimination is validated, the cabin alarm can nevertheless be triggered if 4 presses in a time of 15 minutes on the cabin button are exercised. Each time the button is pressed, the hold time must be longer than the programmed take-up time and a button release time of at least 3 seconds must be respected between each press.

6 - ADDRESS / TRANSMITTER NUMBER PROGRAMMING

Transmitter number (or identifier or PROM) programming:

The ANEP BOX module identifies itself in data mode by sending its “Number” Transmitter ID” (also called Identifier or PROM depending on call centers)

This number corresponds to the manufacturing serial number of the **ANEP BOX** module.

In order to adapt to the different databases of the reception centers, it is possible to modify this transmitter number.

Note: The transmitter number is numeric and has 8 digits.

Ex : 4 3 2 1 1 5 6 9



CAUTION: Changing the Transmitter ID, does not require no prior access to programming

* # 2 2 2 2 0 xx xx xx xx #*

xx xx xx xx = 8 digit transmitter number

6.1 - Addressing Module No. :

Several modules of the ANEP BOX range can be installed on the same telephone line (**maximum 8**), it is mandatory to configure the address of each module.

After entering the programming access code, press the keys:

- # 303 then 1 # if module 1 (Elevator 1)
- or # 303 then 2 # if module 2 (Elevator 2)
- or # 303 then 8 # if module 8 (Elevator 8)

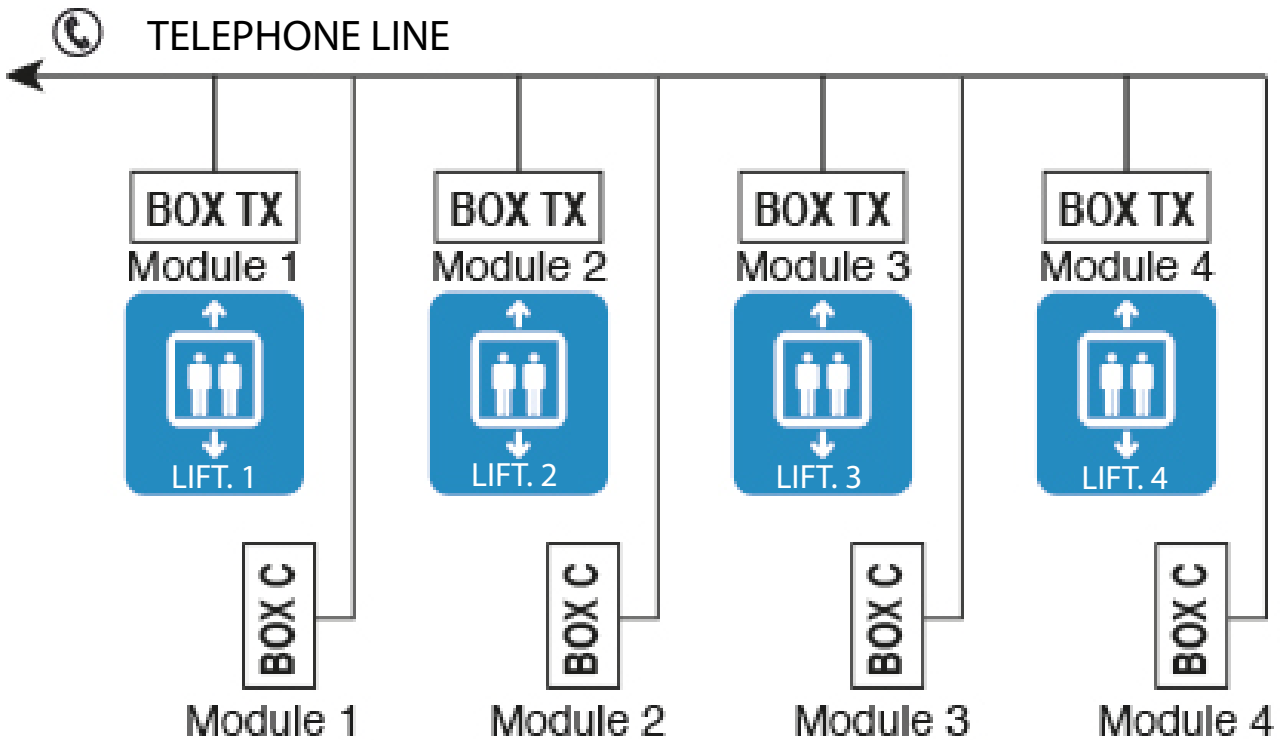
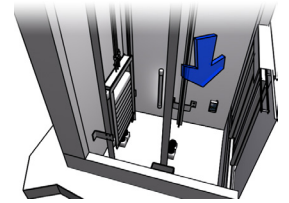
Note: Module = ANEP BOX-TX (or TX+) or ANEP BOX-C (pit bottom)



BOX-C

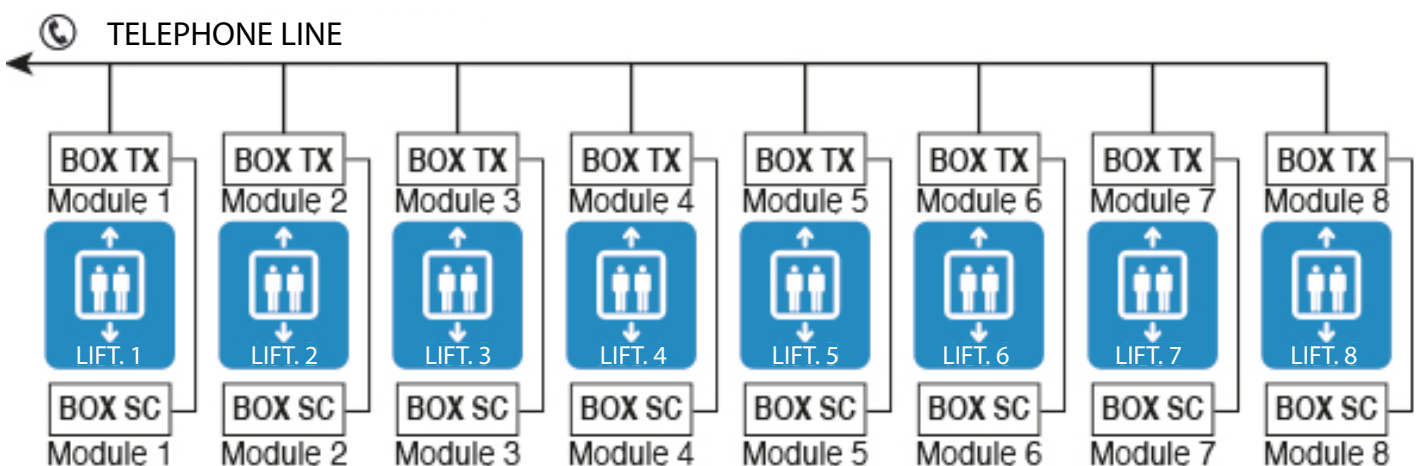
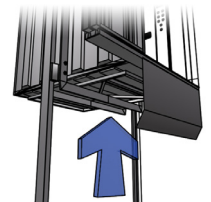
Configuration 1 - Offset Receptacle Phony with BOX-C

Addressing to be done on the 4 BOX TX and on the 4 BOX-C



Configuration 2 - In-vehicle hardware with BOX-SC (maximum 8)

Addressing to be done on the 8 BOX TX

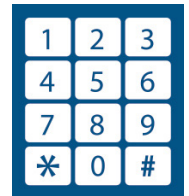


NOTE: These quantities are to be divided by 2 when using a GSM Gateway

=> 4 times BOX-TX with BOX-SC (under cabin)

=> 2 times BOX-TX with BOX-C (pit bottom)

7 - PROGRAMMING (ANEP BOX hung up)



Important :

- All the **ANEP BOX TX** connected to the same telephone line must be connected to allow access to the programming mode.
- The various programming operations are carried out with the keyboard of the **ANEP BOX** module.
- In order to avoid unwanted manipulation, access to the **ANEP BOX** is protected by a three-digit access code:

* 1 2 3

- This code can be changed by the user (1 to 7 digits) (see page 16)

7.1 - Access to programming

Type * followed by the numbers in the programming access code

Example: (With default scheduled code at factory exit)

 * 1 2 3 The device emits a melody 

Therefore, the device is in programming mode

... 2 BEEPs every 20 seconds 

7.2 - Programming Mode Output

After you finish programming the device

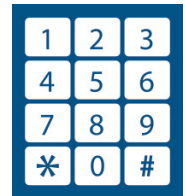
 Press the key « * »

At the end of programming, the device emits a melody 

Note: If no key on the keyboard is pressed for 3 minutes, the device exits programming mode.

The device emits a melody 

7.3 - Schedule table of telephone numbers (voice alarms)



ANEP BOX automatically detects the nature of the alarm button of the **NO** or **NC** button box, it is essential to connect the alarm button **BEFORE** connecting the phone line.

KEYBOARD	COMPOSITION	COMMENTS
*	☞ Programming Access Code	(Factory code: 123)
#001#	RES	Reset settings and clear phone numbers
#101	☞ Phone number + #	1st call center phone number
#102	☞ Phone number + #	2nd call center phone number
#303	☞ Phone number	Module No. 1-8
*	Programming Mode Output	

FACTORY CONFIGURATION

- Programming code : *** 1 2 3**
- Communication Time : **3 minutes**
- Hanging up: **Automatic**
- Cyclic test: **3 days**

7.4 - Choice of telephone network

The BOX TX module uses a telephone network for transferring alarms to a reception center, for proper operation of equipment it is important to indicate the type of network between:

- Switched telephone network (analog PSTN),
- GSM Gateway,
- Autocom mode.

Choosing the network affects the following features:

- GSM gateway battery charge information (only for models PG1, PGU, P3GU and P4GU)
- Speech control of the speaker and microphone,
- Securing the transfer of data to a reception center

The Autocom mode, allows the **BOX TX** to operate with most autocoms without guaranteeing a functioning with ALL the autocoms on the market.

This mode makes it possible:

- Numbering with resting line voltages between 20 and 28v,
- unhooked if ringing train exceeds 400ms.

7.5 - Standard Mode


If the voltage of your Orange phone line or other operator is greater than **28V**, you must configure your equipment in "Standard Mode" (Orange Line) and Normal Line Voltage (Line Voltage > **28V**)

This is the mode in which you received your equipment (factory mode)

To ensure this, perform the following programming sequence.

After entering the programming access code,

Press the keys **# 4 0 4 #**

The device emits a melody 

Exit programming mode by pressing the key « * » ,

The device emits a melody 


7.6 - Autocom mode and/or low line voltage

If your equipment is connected to an Orange line (or other operator), but the line voltage at rest is low (less than 28V), you must configure your equipment to "Autocom Mode and/or Low Line Voltage" ($20V \leq \text{Line Voltage} < 28V$)

To do this, perform the following programming sequence.

After entering the programming access code,

Press the keys **# 4 0 3 #**

The device emits a melody 

Exit programming mode by pressing the key « * »,

The device emits a melody 

If your equipment is connected to an "Autocom", you must configure your equipment to "Autocom Mode and/or Low Line Voltage" ($20V \leq \text{Line Voltage} < 28V$).

7.7 - GSM Mode

If your equipment is connected to a GSM gateway, you must configure your equipment in "GSM Mode".

To do this, perform the following programming sequence.

After entering the programming access code,

Press **# 4 0 5 #**


The device emits a melody 

Exit programming mode by pressing the key « * »,

The device emits a melody 

To exit GSM Mode and return to Standard Mode,

Press **# 4 0 6 #**

The device emits a melody 

Exit programming mode by pressing the key « * »,

The device emits a melody 


7.8 - Number Scheduling

7.8.1 - Programming Memory 101 (Main Voice Call)


1	2	3
4	5	6
7	8	9
*	0	#

After entering the programming access code

☞ Press **# 1 0 1**

The device emits a melody 

☞ Dial the phone number followed by the key **#**

The device emits a melody 

7.8.2 - Programming memory 102 with a pause


In the case of installation behind a PABX, it is necessary to dial a prefix followed by a pause and the call number.

To schedule a PAUSE (2 seconds), press « ***** »

Example: (Pause after prefix 0)

☞ **# 102 0 * 0 1 4 5 6 9 2 8 0 0**

☞ Press « **#** » to validate


The device emits a melody 

7.8.3 - Delete a number

☞ Press : « **#** » then, memory number and "**#**" key

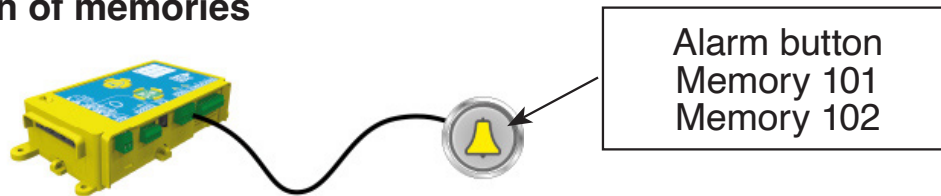
Example : (Delete in-memory number 102)

☞ **# 102 #**

The device emits a melody 

Note : If no keyboard action is performed for **20 seconds**, the device emits a "BEEP", and returns to the beginning of the selection of telephone number memories.

7.9 - Allocation of memories



7.9.1 - Transfer Method

ANEP devices can be programmed according to the desired use and technology used at the alarm reception center. To communicate with reception centers, **ANEP** devices transfer information (location identification) and set up voice communication either in a single communication or in two separate communications.

The recommended method with regard to the standard corresponds to the method in a single communication (Optimization of the delay for identification and phonic dialog)

7.9.2 - Table for one-call programming.

Phone No.	Memory	Type of information	Communication
Power Plant exploitation	# 101	User and Technician Alarm	Data + phonies
	# 102	User Alarm and technician	Data + phonies
	# 104	Lift failures Technician Arrival / Departure Cabin Light	Data
	# 105	Cyclic test	Data
Information center	# 106	Alarm and Failures	Data

#101 : Receive Station Phone Number

#102 : Telephone number of the emergency or overflow reception center

#104 : Receive Station Phone Number

#105 : Receive station phone number for cyclical testing

#106 : Phone number of the ANEPanywhere customer information center or website.



However, if your reception center uses the two-call method, please contact us.

7.9.3 - Configuring “dual call” mode

Dual call mode allows a guard station to be called (voice only), before the alarm is transmitted to the reception center (data and voice).

The telephone memories **101** and **102** are used for this function.

In programming mode, to enable **dual-call** mode:

☞ Press # 206 # The device emits a melody To deactivate dual call mode enter sequence # 207 #

The “telephones” memories must be set up as follows:

Memory **101**: Guardian Phone Number

Memory **102**: Telephone number of the reception center.


Alarm Timing:

When an alarm is triggered, the transmitter calls the number in memory 101 (custodian). It then calls the number in memory 102 (center of reception).

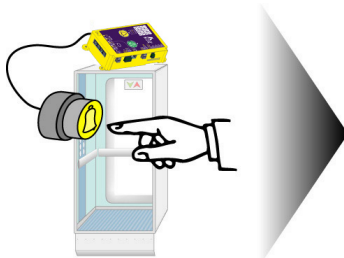
In case of occupancy of the number in memory 101 (guardian) or 102 (center of reception), these numbers are called up to **six times** (6x mem. 101 and 6x mem. 102).

7.10 - Validations and settings (in programming mode)

Time delay for taking into account the pressing of the cabin alarm button (default 0.5 seconds)

- ☞ Press **# 3 0 2 #** and the time defined in 10th of a second.
The device emits 3 "BEEPs" 
- ☞ Validate with « # » key. Example : 4.5 second timeout.
- ☞ Press **# 302 45 #**


7.10.1 Acknowledgement of blocked person call (EN81-28) by #1



When this function is validated, an alarm call emitted by ANEP BOX will have to be acknowledged by the operator by dialing the sequence “#” and “1” on the keyboard of his telephone (in DTMF mode) during the voice communication.

If this operation is not performed, ANEP BOX calls the reception center 6 times per number Scheduled Call Signals (See 5.1.2)

To validate this function,

- ☞ Press the keys successively **# 2 0 2 #**
The device emits 3 "BEEPs" 

Call acknowledge function is validated (not validated by default)

To dismiss the acquittal of the appeal

- ☞ Press **# 203 #**
The device emits 3 "BEEPs" 

The function of acknowledging the appeal is canceled.

In PROGRAMMING mode:

7.10.2 - Communication Time

1-99 minutes chat time (factory setting = 3 minutes)

☞ Press : **# 2 0 1** puis ..

... enter the maximum conversation duration you want (from 1 to 99) and **#**

The device emits a melody 

7.10.3 - Adjustment of the sound level of the cabin voice

After programming, trigger a call by pressing on the alarm button **located in the booth** for ANEP BOX or the button.

The following settings are available to adjust sound levels and the ANEP BOX microphone/speaker flip-flop under local conditions.

☞ Key " **6** " = + Key " **9** " = -

This setting changes the volume of the speaker after the toggle.

☞ Key " **5** " = + Key " **8** " = -

This setting changes the sensitivity of the microphone

The key " **0** " causes the device to hang up.


The " **1** " key returns to factory settings.



Changes made in manual adjustment mode override those previously performed in automatic adjustment mode.

7.10.4 - Validating the recurring call

☞ Press the keys successively **# 105**

The device emits 3 "BEEPs" 

☞ Dial the call number to receive data to the receiving station equipped with a FT1000 or FT4004 Modem and ANEPCENTER® or front-end compatible software.

☞ Press « **#** »

The device emits a melody 

A "site card" must be established in advance on the ANEPCENTER® software (see ANEPCENTER® package leaflet)

NOTE : the periodic call resets the **ANEP BOX-TX** clock

7.10.5 - Adjustment of gains in Interphone Machinery and Fire Department mode.

Ability to independently adjust speaker and microphone used for intercom functions machinery and module fireman. These settings do not change the settings defined for traditional triphony functions.

Microphone gain adjustment

After entering the programming access code

Press **# 407** then a value from **1** to **15**, then **#**
(1 = min gain, 15 = max gain)


Adjusting Speaker Gain

After entering the programming access code

Press **# 408** then a value from **1** à **15**, then **#**
(1 = gain min, 15 = gain max)

7.10.6 - Cyclic Test / Periodicity

☞ Press the keys successively **# 301**

The device emits 3 "BEEPs" 

☞ Dial the number of days for the periodicity of the cyclical call 1, 2, or 3.

Default: 3 days Example : 2 days = # 301 2 #

7.10.7 - Listening to data exchange

In order to enable the technician working on the elevator to know that the ANEP-BOX module is in communication with a reception center, all the data exchanges are audible (Low Level) in the loudspeaker of the ANEP-BOX.


IMPORTANT : No possible action on **the ANEP-BOX** during the communication phase.

7.10.8 - Change programming access code

☞ Press the keys successively **# 0 0 2**

The device emits 3 "BEEPs" 

☞ Enter the new programming code (from 1 to 7 digits) and « **#** »

The device emits 3 "BEEPs" 

☞ Confirm the new programming code (1-7 digits) and « **#** »

The device emits a melody 



It is important to carefully note the new programmed code.

The loss of the latter necessitates the return of the appliance to the factory.


7.10.9 - Cabin light control timer



ANEP-BOX TX allows to control the voltage “Cabin Light” (230Vac)
The fault and the return of this voltage are transmitted to a power station reception (Telephone memory 104).

The time delay for taking into account the return of the voltage is set at 2 min.
The time delay for taking the fault into account is programmable.

In programming mode,

- ☞ Press **#304** then the time defined in minutes (from 0 to 99)
 - ANEP-BOX emits 3 "BEEPs" 
- ☞ Validate by Key **#**

When the timer is **0**, the “Cabin Light” defect is not processed (Factory setting)

7.10.10 - Entrance Cabin Light as entrance Start/End Visit Maintenance

The Cabin Light input can be used to indicate the Start/End of Maintenance Visit when the “Cabin Light Tempo” setting is zero.

Start of Visit Interview

The presence of a voltage (5V to 220V) on the input for 5 seconds activates the start of the Maintenance Visit.

- The voice message “**Technician Arrival**” is stated
- Transmission of the event “Appearance Technician Presence for maintenance visit” is offset by 5 minutes.

End of Visit Interview

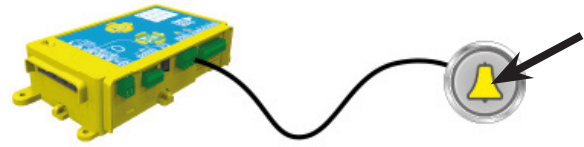
The loss of voltage on the input for 5 seconds indicates the end of the “Presence Maintenance”.

- The voice message “**Technician Departure**” is stated
- Transmission of the event “Disappearance Technician Presence” is not offset.

Cabin Light Function


The CABIN LIGHT input retains its “Cabin Light Control” function when the “Cabin Light Tempo” parameter is non-zero.

8 - EXPLOITATION



8.1 - Cabin alarm test

- ☞ Press the alarm button on the cab.
If discrimination is not enabled, the voice message “**your call is recorded, please wait**” is broadcast and ANEP BOX calls the correspondent (see page 8)

“BEEPs” are issued every 6 seconds in case of silence to indicate that device is online 

In order to facilitate the activation of the passenger in cab alarm, test:

- Door closed or in operation
- Technician presence enabled
- Forced alarm

Automatic cab alarm end:

Following a user alarm blocked in the cabin, the end of the alarm can be carried out automatically:

- Or after a time delay of 1 hour,
- Or after 2 runs of the cabin with 2 door openings.

To validate this function, enter programming mode and compose the sequence «**#706#**»

To not validate this function, enter programming mode and compose the sequence «**#707#**»

At the time of the end of the automatic alarm, the “**End of alarm**” message is stated by the voice synthesis, the information “**Appearance End of automatic alarm**” is transmitted via the telephone memory 104.


The “**End of Alarm**” can always be done locally from the green button or remotely via ANEPCenter.

The 1 hour timeout is remotely adjustable via ANEPCenter.
(After returning to Factory settings (#001#), the auto-alarm end function is not validated.)

8.2 - Cabin roof technician alarm

- ☞ Press the alarm button on the ANEP BOX module.

The voice message “**your call is recorded, please wait**” is broadcast ANEP BOX calls the reception.

“BEEPs” are emitted every 6 seconds in case of silence to indicate device is online 



8.3 - Automatic on-hook (phone mode)

Hanging up occurs automatically when line occupancy is detected phone or completion time (3 minutes) default.

ANEP BOX emits a melody 10 seconds before the end of the timer scheduled communication (see page 15).

8.4 - Call Number Sequence

If the number called is busy or not answering (10 ringtones), **BOX TX** call the second stored number.

Each scheduled phone call number is alternately called 6 times maximum.

8.5 - Green Button Features

1- "Technician Presence" function

The green button for technician presence informs the center intervention of presence a technician on the elevator.

Pressing the button triggers a voice announcement "Technician Presence" followed by a call for information.

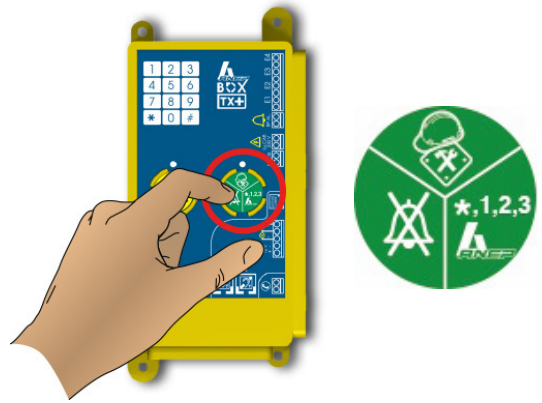
A second endorsement triggers an announcement Voice "*Technician Departure*" followed by a call for sending information.

2- «End of alarm» function

In the event of a user alarm in progress, pressing the green button closes the user alarm, a voice announcement tells the technician end of alarm (active discrimination if programmed).

3- Voice «Server Function»

Voice server function see paragraph 7.



9 - BOX TX FUNCTIONS

The TX version of ANEP BOX includes all the features of the TA version and adds:

- 1 - Voice synthesis on activation of the blocked user alarm,
- 2 - An "Alarm siren" function (HP in buzzer function)
- 3 - The floor statement function,
- 4 - The arrival and departure of the technician,
- 5 - The possibility of regularly recalling the presence by voice message the technician,
- 6 - The ability to broadcast a voice message after triggering a cabin alarm, until the alarm has been acknowledged by the technician,
- 7 - A «Cabin Light» entrance,
- 8 - A voice-activated identification of the alarm location during the call.

9.1 - Voice synthesis on user alarm blocked

In order to reassure the user trapped in the cabin, the **ANEP BOX TX** broadcasts a summary message, after validation of the taking into account of the "user blocked" alarm, and following the pressing of the alarm button of the elevator.

9.2 - Alarm siren

The "Alarm siren" function built into **ANEP-BOX TX** is activated after triggering an alarm in two cases:

- 1 - When the phone call did not complete, at the end of the attempted calls.
- 2 - Immediately when the alarm is triggered after detection of a drop in telephone line voltage (Voltage less than 28 Volts) which indicates that either the telephone line is defective, or another BOX using the same telephone line is under appeal.

The activation time is 6 seconds and the selected speaker is the one integrated in the **ANEP-BOX** (Cabin roof)

This feature requires a 12Vcc (ALIM-CONTROL 2 type) power supply

9.2.1 - Ability to activate the siren whenever the cabin alarm button is pressed.

Whether or not the alarm is discriminated, the cabin alarm is taken into account can be signaled by the activation of the integrated siren for 2 seconds.

Validating the siren function

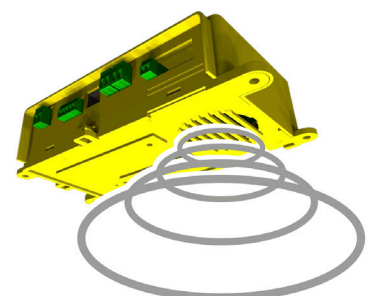
After entering the programming access code

☞ Press **#401#**

Devalidation of the siren function

After entering the programming access code

☞ Press **#402#**



9.3 - Setting the BOX TX Module Clock

In programming mode,

- ☞ Press keys # **601 83 'hh' 'mm'** successively,
- ☞ **ANEP BOX-TX** emits a «Gong»,
- ☞ Finish by pressing 2 times *

(hh and mm represent tens of hours, hours, tens of minutes and minutes)

Examples : For an adjustment at 3:48 p.m. => # **601 83 15 48**

For an adjustment at 7:30 a.m => # **601 83 07 30**

For an adjustment at 9:05 a.m => # **601 83 09 05**

9.3.1 - Local Time Reading

In programming mode,

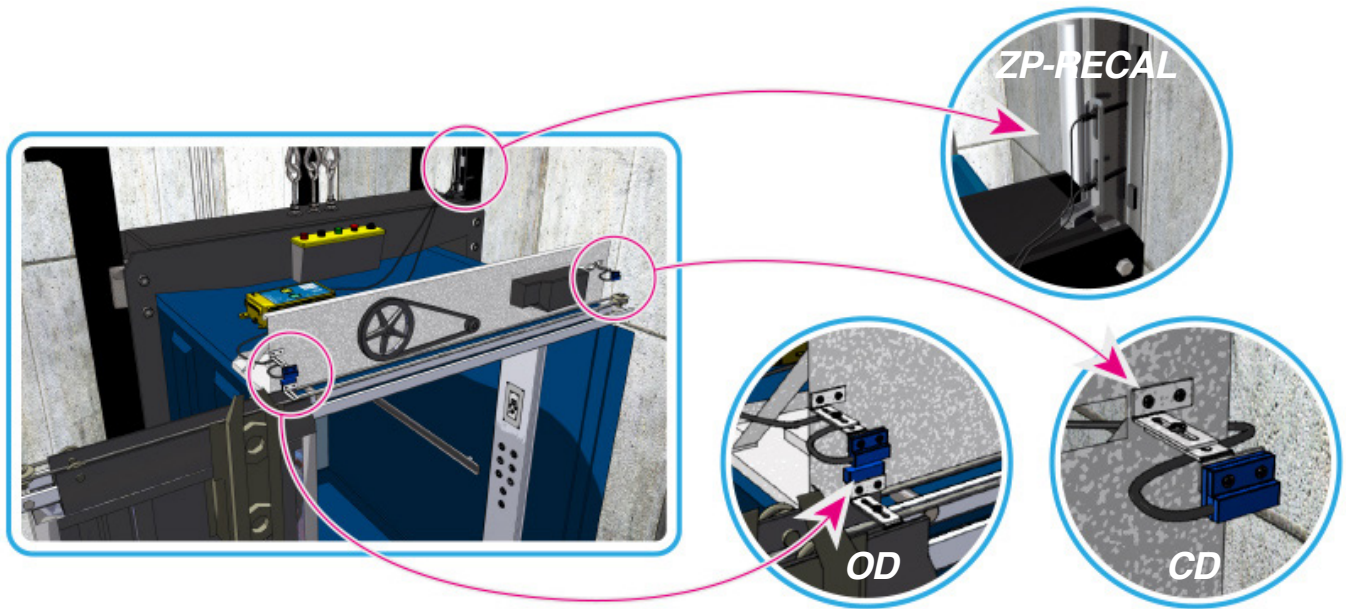
- ☞ Press the keys successively # **602 83 #**
- ☞ **ANEP-BOX TX announces time in 4 digits**
- ☞ Finish by pressing *

Example : 12:09 p.m. => will be announced «*ONE*», «*TWO*», «*THREE*», «*NINE*»

9.4 - Floor Statement

ANEP-BOX TX includes the ability to advertise floors at the time of the opening of the doors.

This feature requires a 12VDC power supply (of type **ALIM-CONTROL 2**). Level-based statements can be programmed and verified either locally or remotely by ANEPCenter®.



9.4.1 - Validation of statements

In programming mode,

☞ - Press the keys successively **# 603 #**

The floor statement at the time of opening the doors and the message announcing the closing of the doors will be broadcast from 8:00 am to 8:00 pm or permanently.

9.4.2 - Devalidation of statements

In programming mode,

☞ - Press the keys successively **# 604 #**

The floor statement and the message announcing the closing of the doors shall not be validated.

9.4.3 - Keyboard Level Programming

By default, stage statements for each of the levels are stored in **BOX TX**

For special cases, it is possible to change the position of the ads to tailor statements to the elevator.

The installer can change the pre-defined position of the ads (from 1 to 39)

Before starting programming, fill a table (next page) with the references of the announcements to be stated for each level.

To program a level the sequence is: **# 601 «n» # «a» #**

«n» is **level**, «a» is the **listing reference**.

These values range from **1** to **39** inclusive.

Default listings	
Level	Announcements
39	31st floor
38	30th floor
37	29th floor
36	28th floor
35	27th floor
34	26th floor
33	25th floor
32	24th floor
31	23rd floor
30	22nd floor
29	21st floor
28	20th floor
27	19th floor
26	18th floor
25	17th floor
24	16th floor
23	15th floor
22	14th floor
21	13th floor
20	12th floor
19	11th floor
18	10th floor
17	9th floor
16	8th floor
15	7th floor
14	6th floor
13	5th floor
12	4th floor
11	3rd floor
10	2nd floor
9	1st floor
8	Ground Floor
7	1st basement
6	2nd basement
5	3rd basement
4	4th basement
3	5th basement
2	6th basement
1	7th basement

Editing listings	
Level "n"	Listing ID to schedule "a"
39	
38	
37	
36	
35	
34	
33	
32	
31	
30	
29	
28	
27	
26	
25	
24	
23	
22	
21	
20	
19	
18	
17	
16	
15	
14	
13	
12	
11	
10	
9	
8	
7	
6	
5	
4	
3	
2	
1	

Broadcast between 8 a.m. and 8 p.m,

In programming mode,

- ☞ Press the keys successively **# 602 81**
- ☞ Validate by #, the summary emits a « gong »,
- ☞ Finish by pressing the key twice* .

Note : The **ANEP BOX TX** clock must be pre-programmed by Triggering a cyclical call.

9.4.4 - Indication of the announcement period of the floors

Once you enter programming mode, the amber-green LEDs indicate the period of time during which stage statements are issued.

- Green LED On : Dissemination of floor statements between 8 a.m. and 8 p.m.
- Yellow LED On : Dissemination of floor statements 24 hours a day
- No LED On : Uncommitted stage statement distribution

10 - VOICE OF SERVICES / ALARM ACKNOWLEDGEMENT

After a cabin alarm is triggered, an “Alarm in progress” is stored until the alarm acknowledgement button is pressed the technician's intervention.

ANEP-BOX TX gives the possibility to announce in the cabin “Alarm in progress” and “Technician Arrival” at each door closure at the main level (RdC base) These service announcements shall be broadcast during the same period as the floor statements (see programming floor statements)

10.1 - Validation of «Alarm in Progress» & «Technician Arrival» ads

In programming mode,

- ☞ Press the keys successively **# 605 #**

10.2 - Devalidation of the «Alarm in progress» and «Technician arrival» announcements.

In programming mode,

- ☞ Press the keys successively **# 606 #**

The «**Technician Arrival**» announcement is no longer automatically launched while the technician is present but this announcement remains valid following press the technician button.

10.3 - Cabin alarm acknowledgement

If a cabin alarm is in progress, press the Technician button triggers the «End Alarm» announcement and removes the «Alarm» memory in progress.

10.4 - Remote "Alarm In Progress" Reset

ANEP-BOX TX incorporates the «End of user alarm caused remotely» function.

- The remote acknowledgement is triggered by the operator via AnepCenter when a «user alarm blocked in the cabin» has not been followed by an on-site «End of Alarm».
- After receiving the remote acknowledgement from AnepCenter, the Box generates a new call with the title: «Appearance: End of Remote Alarm»

Summary of headings according to end-of-alarm activation modes :

- Cabin Alarm => Appearance: Cabin Alarm
- End of alarm (action on green box button) => Disappear: Cabin alarm
- Remote Triggered Alarm End => Appearance: Remote Triggered Alarm End

10.5 - Event Transmission and Special Codes

The transmission of the following events is carried out 5 minutes after their appearance:

- Appearance Technician presence.
- Disappearance Alarm Cabin.
- Appearance Presence Technician for maintenance visit.
- Appearance Presence Control Cabinet.
- The “Appearance Technician” event is caused by pressing the Green key on the ANEP BOX TX+ (Technician, End Alarm, SVA).
- The “Disappearance Cabin Alarm” event is caused by the green key on the ANEP BOX TX+ (Technician, End of Alarm, SVA).
- The event “Appearance Technician for Maintenance Visit” is caused by the entry on the ANEP BOX TX+ keyboard of the sequence «* 64570 ».
- The “Appearance Presence Cabinet de Comptrollership” event is caused by the ANEP BOX TX + keypad entry of the sequence «* 12456 ».

The “Disappearance Technician Presence” event is transmitted immediately. If this event occurs within 5 minutes of any of the above events occurring, the events awaiting transmission are transmitted beforehand.

11 - ONLINE IDENTIFICATION OF THE PLACE OF CALL

ANEP-BOX TX incorporates a speech-based call location recognition function.

It is possible that during telephone communication between the person stranded in the lift cabin and the operator of the emergency center, the ANEP BOX TX module will provide a message to locate the location of the emergency call.

Two types of voice messages can be stated:

- An advertisement coded according to the international radio alphabet, which will be called «Digital Identification» The maximum of 8 characters of the installation number or reference shall be expressed in words. (A: Alpha, B: Bravo,..., Z: Zulu, 1: one, 2: two, 3: three,...)
- A pre-recorded spoken message, which will be called a “recorded identification” (Device address location)

The digital ID can be programmed and read either locally or remotely by the ANEPCenter software.

11.1 - Keyboard identification programming

In programming mode,

- Press the # 501 keys successively,
- ANEP-BOX TX emits 3 beeps,
- Enter the installation reference,
- Validate by #.

11.2 - Reading identification through keyboard

In programming mode,

- Press the # 502 # keys successively,
- ANEP-BOX TX sets out the identification code.

The recording is done from a telephone set.

11.3 - Saving from saved ID

The operator can record and listen to a message from a telephone set using two call modes:

- When ANEP-BOX TX initiates the call following the transmission of an alarm and as soon as the operator is in phonic communication with the site, the recording sequence may be initiated.

(see below: Recording sequence)

- When the operator calls ANEP-BOX TX.
- If only one ANEP-BOX TX is connected to the telephone line:

- Wait for the box pick-up.
- Then wait 3 seconds for a «Beep» to be heard in the phone.
- The recording sequence may begin.

(See below: Recording Sequence)

In the case where several ANEP-BOX TX are on the same telephone line, the BOXs have different module numbers (1: main BOX, 2 to 8: secondary BOX) and only the main BOX disconnects at first:

- Wait for the main BOX to be picked up.
- Then wait 3 seconds for a Beep to be heard in the phone.
- If the recording is intended for this BOX, the recording sequence may begin.

If you want to record on a secondary BOX, you need to do so at that time dial a 2-digit code to select the desired BOX.

- The 1st digit is the number of the secondary BOX (from 2 to 8) and the 2nd digit will be « 1 » for this application.
- Wait about « 5 » seconds for a new Beep to be heard in the phone.
- The recording sequence on this secondary BOX can be started.

Recording sequence:

- Press the "##" keys on the phone, ANEP-BOX TX beeps.
- To start recording, press the "7" button on the phone.
- To stop recording, press the "8" key.
- To listen to the recording, press the "9" key.
- The maximum recording time is 12 seconds.
- The save procedure can be repeated several times without recomposing "##".
- To exit this mode, press the "0" key.
- If no phone key is typed for 30s, redial the sequence "##" to retry the operation.

11.4 - Dissemination of identification

Following an alarm transmission and after the telephone line has been transferred to the operator's station, the operator must press the "3" key on his telephone in order to hear the identification.

When programmed, the digital ID takes precedence over the recording, and the radio alphabet-coded ID will be broadcast.

Exiting Factory, or following the keyboard sequence "* 123 #001#" (Return to Factory Settings), the digital ID is cleared.

Sample Programming : Programming Device No => « ANEP94 »

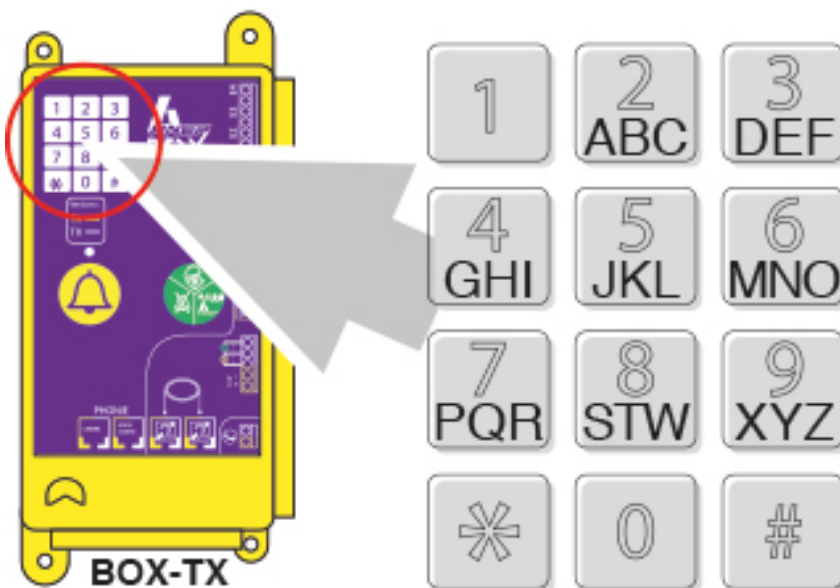
Press # 501

The device emits 3 «BEEPs»

- ☞ Press the « 2 » key twice
Waiting for the «BEEP»
- ☞ Press the « 6 » key 3 times
Waiting for the «BEEP»
- ☞ Press the « 3 » key 3 times
Waiting for the «BEEP»
- ☞ Press the « 7 » key twice
Waiting for the «BEEP»
- ☞ Press the « 9 » key 1 times
Waiting for the «BEEP»
- ☞ Press the « 4 » key 1 times
Waiting for the «BEEP»
- ☞ Press the « # » key to validate

Synthetic voice memory control:

- ☞ Reading # 502 #



A – Alpha
B – Bravo
C – Charlie
D – Delta
E – Echo
F – Foxtrot
G – Golf
H – Hotel
I – Irma
J – Juliette
K – Kilo
L – Lima
M – Mike
N – November
O – Oscar
P – Papa
Q – Quebec
R – Romeo
S – Suzanne
T – Tango
U – Uniform
V – Victor
W – Whisky
X – Xavier
Y – Yankee
Z – Zoulou

12 - TESTING THE SPEAKER AND MICROPHONE

This test is performed :

- At the time of the periodic call **in the only case** where **MIDIS** Plastron or a **BOX BA MAX** or **mini-GHP** is connected to the **BOX**, (does not work with a remote microphone)
- Or on call of the BOX by an operator for a solution of doubt.

12.1 - Testing on «recurring call»

The test consists in transmitting a frequency of 1 kHz for 4 seconds in the speaker, collect it into the microphone and analyze the received signal. When the signal is not correctly received, a new test is performed.

In the event of a “HP/Microphone” defect, an alarm will be triggered in cab is followed by activation of the mermaid integrated into the BOX to warn of the malfunction, followed by the normal appeal procedure.

12.2 - Operator on-demand testing

Raising doubts about the proper functioning of the speaker/ Micro Cabin is possible remotely. During remote testing, or the speaker of the Plastron is tested either the speaker integrated into the BOX is tested in the absence of Plastron.

The test consists in transmitting a frequency of 1 kHz for 4 seconds in the speaker, collect it into the microphone and send it to the line to allow the operator in communication to listen.

The sequence is as follows:

- Dial the Box phone line

If only one **ANEP-BOX TX** is connected to the telephone line:

- Waiting for the BOX to pick up.
- Then wait 3 seconds for a « **Beep** » to be heard in the phone.

☞ Press the « **6** » button on the phone, the frequency of 1kHz must be audible.

In the case where several **ANEP-BOX TX** are on the same telephone line, the BOXs have different module numbers (**1**: BOX master, **2** to **8**: BOX secondary) and only the master BOX lands in the first instance:

- Wait for the master BOX to be picked up.
- Then wait 3 seconds for a « **Beep** » to be heard in the phone.
- If the test is for this BOX, press the « **6** » key on the telephone, the frequency of 1kHz must be heard.
- If the test is for a secondary BOX, immediately after the « **Beep** », dial a 2-digit code to select the desired BOX. The first digit is the number of the secondary BOX (from 2 to 8) and the second digit. The number will be "1" for this application.
- Wait about **5 seconds** for a new « **Beep** » to be heard in the phone.

☞ Press the « **6** » button on the phone, a frequency of 1kHz must be heard.

13 - TX VERSION OVERVIEW

The **ANEP BOX TX** product incorporates a method of monitoring operation of the information-sending lift (elevator or product malfunctions) remotely via the network Telephone (Wired or GSM).

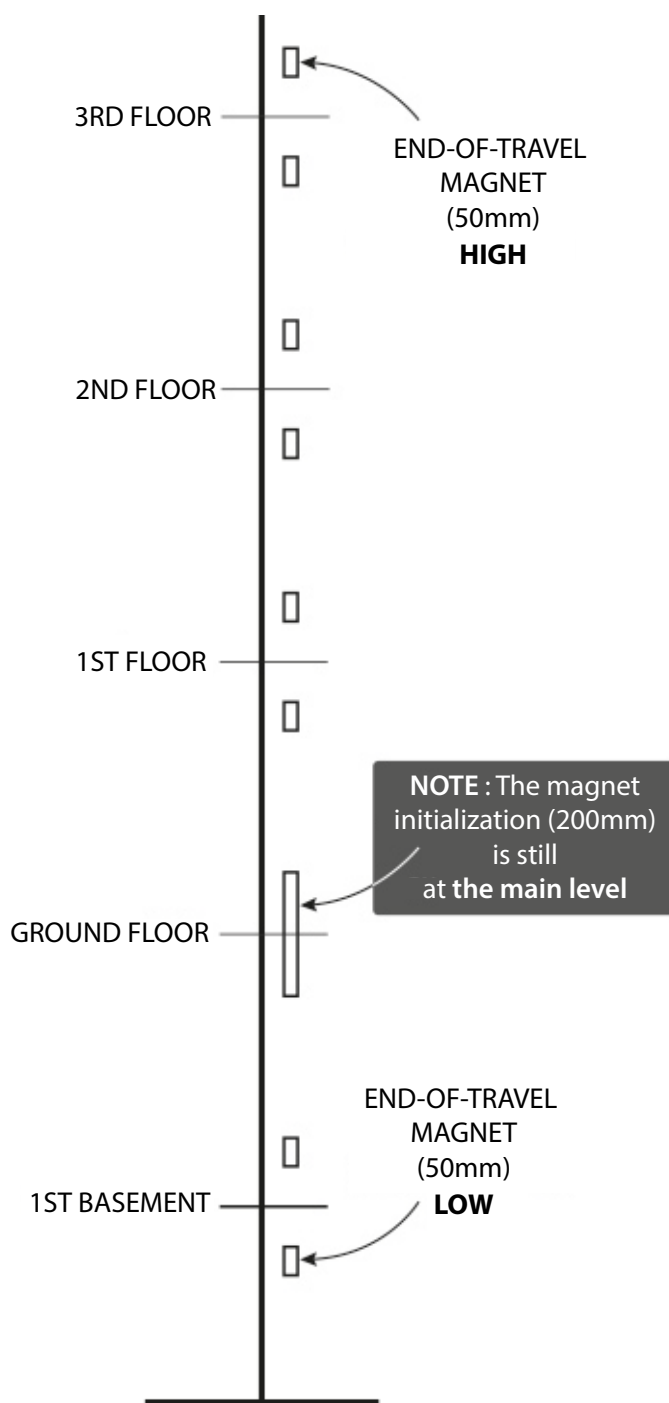
Operation of the «lift surveillance» part of **ANEP BOX TX** requires a number of presets (manual or automatic) before exploitation.

The monitoring results of the directly dependent lift programming of **ANEP BOX TX**, it is important that the various paragraphs of the commissioning procedure are property assimilated by the technician performing the service.

IMPORTANT:

Before proceeding to the commissioning of **ANEP BOX TX**, it is imperative to wire inputs E1 to E4 as indicated on page 6, the control of operation of the lift is made from these four entrances. (Cabin position & door position)

In order to control the ends of races Top & Bottom it is necessary **add** the 2 magnets of 5 cm at the extremes.



13.1 - Commissioning controls

13.1.1 - Control of door information

Particular care must be taken to adjust the OD/CD sensors, ensure that the contacts remain in the desired state at the end of the opening and closure.

Ex : Mechanical hard or cab door release at rest.

13.1.2 - Monitoring control

Method of controlling the **ANEP BOX TX** elevator monitoring functions

13.1.2.1 - Verify Monitoring Mode Validation:

Function # **703 #**, **ANEP BOX TX+** advertisement «*VALIDATED*»

If not, see Chapter **12.1** - Elevator Monitoring. Check the choice of door type.

Function # **601 7 #**, **ANEP BOX TX+** «Automatic» or «Swing» advertisement

If the choice does not match, refer to Chapter **12.1**- Monitoring elevator.

13.1.2.2 - Check the operation of the summaries:

- There shall be no floor statements while the cabin is being moved, otherwise check the CD contact setting (End of cab door closure).
- Matching of the statements of stages when opening doors to stages (adjustments to statements refer to Chapter 8.4 STAGE STATEMENTS)
- When the door is open, there shall be no statement to the effect that "door" before the door starts to close.
(adjustment of the open cab door contact OD)
- When the elevator arrives on the floor, there must be no gong until the opening of the door. (closed cab door contact adjustment CD)

13.1.2.3 - Fault Transfer Verification :

The following checks require that «No presence» is verified technician by pressing the green button of the BOX, it must announce «Technician departure»

Leave the elevator in normal parking for **7 minutes**, it must not there is a call triggered (listening for DATA transfers).

Failure tests : Block the cabin between floors and wait 7 minutes, ANEPBOX must call and send the breakdown «cabin blocked between floors», check with the remote monitor for the arrival of the event. After two moves the end of failure call must be sent.

Attention to call limitation (4 outages per day), see Chapter 12.2 Event Validation.

14 - KEYBOARD SCHEDULES TABLE



<u>Accessing and Exiting Setup Mode</u>	
*	+ <Access Code > Switching to setup mode
*	Programming Mode Output
#0...	<u>Setting</u>
#001#	Reset settings and phone numbers
#002...#	New Access Code
#1...	<u>Phone number</u>
#101...#	Primary telephone number for the voice call
#102...#	Phone call back-up number
#103...#	Telephone number of the receiving station for transmitting data before voice
#104...#	Telephone number of the receiving station to transmit data after voice
#105...#	Phone number of the Cyclic Test call
#106...#	Internet Phone Number
#2...	<u>Communication</u>
#201...#	Call communication time (1-99 min)
#202#	Operator acknowledged call function validated
#203#	Operator call acknowledgement function not validated
#204#	Full Duplex Mode Validation
#205#	Devalidation of Full Duplex Mode
#206#	Validating "Double Call" Mode
#207#	Deactivating "Double Call" Mode
#3...	<u>Setup</u>
#301...#	Cyclic Test Frequency (1, 2 or 3 days)
#302...#	Alarm entry response time (10-64 in 1/10 sec)
#303...#	Module Address (1-8)
#304...#	Time taken to take into account the entrance Cabin Light (0 to 99 min)
#307#	No cabin alarm discrimination
#308#	Discrimination of the cabin alarm handled by the BOX
#309#	Discrimination of the external equipment cab alarm (Ex: BOX-DISCRI)
#4...	<u>Setup</u>
#401#	Validating the siren function
#402#	Devalidation of the siren function
#403#	AUTOCOM Mode
#404#	Standard Mode
#405#	GSM Mode Validation
#406#	Devalidation of GSM Mode
#407#	Microphone gain adjustment
#408#	Adjusting Speaker Gain



#5...	<u>Site Identification</u>
#501...#	Programming the identification code
#502...#	Dissemination of the identification code by voice synthesis

#6...	<u>Floor Statement</u>
#601 n# a#	If “n” and “a” are between 1 and 39: programming a floor statement
#601 83 ...#	Time (hours and minutes)
#602 n#	If “n” is between 1 and 39: broadcast a floor statement by voice synthesis
#602 81#	Limitation of floor statements and messages from 8:00 a.m. to 8:00 p.m.
#602 82#	Statement of stages and messages 24/24h
#602 83#	Reading time
#602 9n#	Synthesis sound level adjustment («n» from 1 to 8)
#603#	Validated floor statement function
#604#	Floor statement function not validated
#605#	«Alarm in progress» and «Technician Arrival» message statement validated
#606#	«Alarm in Progress» and «Technician Arrival» message statement not validated

#6...	<u>Remote Monitoring</u>
#601 4 nn#	Defect validation sequence
#601 5 nn#	Defect inhibition sequence
#601 nn#	Reading the programming of a defect
#602 6 n#	Idle Time Schedule ("n" from 0 to 7)
#602 5 n#	Programming the maximum number of levels ("nn" from 0 to 20)
#602 41#	Manual shutdown of the elevator
#602 71#	Automatic doors
#602 72#	Swinging doors
#601 7#	Reading Door Type

#7...	<u>Remote Monitoring</u>
#701#	Validated remote monitoring
#702#	Unvalidated remote monitoring
#703#	Reading remote monitoring validation status
#706#	Auto Alarm Ended Validated
#707#	Auto Alarm Ending Not Validated

NOTES

ANEP applies a method of continuous development, therefore, ANEP reserves the right to make changes and improvements to any product described in this document, without notice.

ANEP cannot under any circumstances be held liable for any loss of data, as well as any particular damage or incident, resulting from poor implementation or non-compliant use of the product.

The contents of this document are provided “as is”. No warranty of any form, express or implied, is made as to the accuracy, reliability, or content of the document.

ANEP reserves the right to revise this document or withdraw it at any time without notice..



Electrical equipment must be compulsorily recycled according to Directive n°2012/19/EU of 04/07/12 relating to waste electrical equipment and Electronic (WEEE)

WARRANTY

This product is guaranteed for **3 years** from the date of invoicing of the product, with the exception of batteries and cells which are guaranteed for **6 months**.

However, this guarantee does not apply in the event of:

- Use that does not comply with the instructions in this manual.
- Deterioration from a cause external to the product (act of vandalism, fire, flood, storm, overvoltage...).
- Installation carried out by an unqualified installer not approved by ANEP.
- Modifications or repairs carried out by entities not approved by ANEP.
- Opening of the product by a non-ANEP approved person.

THE AFTER SALES SERVICE IS PROVIDED BY

SAVTEL

4 bis rue de Paris 94470 Boissy-Saint-Léger

Tél : +33 1 45 98 34 44

Website : www.anepstore.com