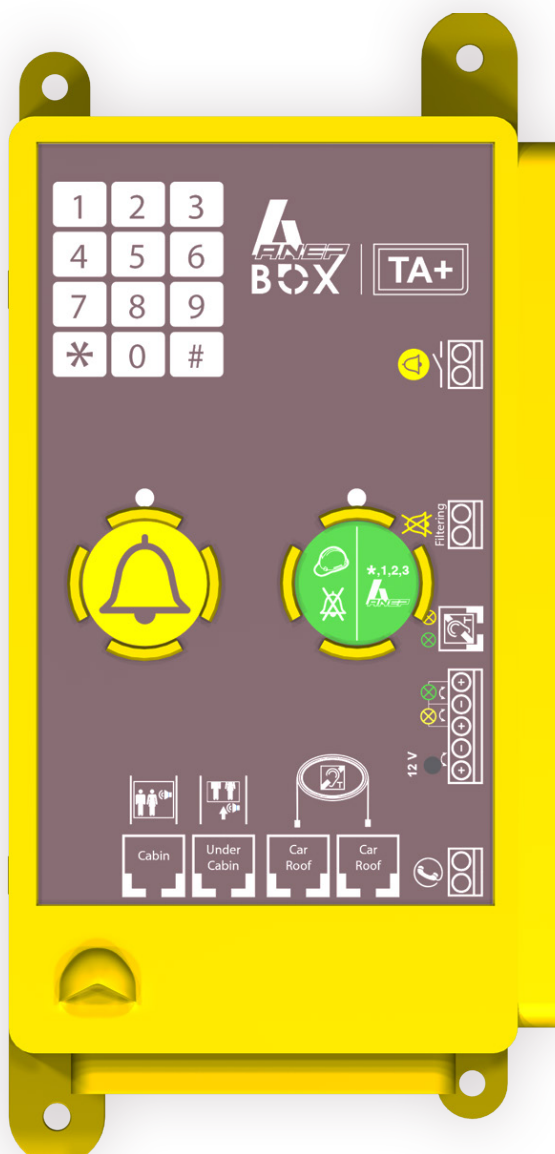


# ANEP BOX TA+

## LIFT REMOTE ALARM

UPGRADABLE MULTI-LIFT PHONE AND INTERCOM SYSTEM



# TABLE OF CONTENTS

<b>1 - <u>GENERAL</u></b>	<b>Page 5</b>
1.1 - <u>Description</u>	
1.2 - <u>Technical characteristics</u>	
1.3 - <u>Connection of module ANEP BOX TA+</u>	
<b>2 - <u>FUNCTIONS</u></b>	<b>Page 8</b>
2.1 - <u>Interactive keypad</u>	
2.2 - <u>Choice of telephone network</u>	
2.3 - <u>Car alarm</u>	
2.3.1 - Alarm and multilingual messages	
2.3.2 - Discrimination of car alarm	
2.3.3 - Discrimination according to standard EN81-28	
2.3.4 - Simple discrimination	
2.3.5 - Forced alarm	
2.3.6 - Setting sound levels	
2.3.7 - Communication in alarm mode	
2.3.8 - Alarm bell	
2.3.9 - Operator acknowledgement	
2.3.10 - Recording of voice localisation module	
2.3.11 - Car loudspeaker and microphone test	
2.3.12 - End of alarm	
2.4 - <u>Periodic calls</u>	
2.5 - <u>Listening to data transfer</u>	
2.6 - <u>Automatic hang-up</u>	
2.7 - <u>12V and Battery control</u>	
2.8 - <u>GSM gateway model ANEP PG1 battery control</u>	
2.9 - <u>P100 protocol</u>	
2.10 - <u>Fire service machine room intercom</u>	
<b>3 - <u>INSTALLATION</u></b>	<b>Page 14</b>
3.1 - <u>Prerequisites before start-up</u>	
3.2 - <u>Hanging cable</u>	
3.3 - <u>Installation/Connections</u>	
<b>4 - <u>PROGRAMMING</u></b>	<b>Page 15</b>
4.1 - <u>Factory settings</u>	
4.2 - <u>Programming mode</u>	
4.2.1 - Access to programming	
4.2.2 - Exiting programming mode	
4.3.3 - Modification of programming access code	

### **4.3 - Choice of telephone network**

4.3.1 - Analogue mode

4.3.1.1 - Analogue mode (RTC/PSTN)

4.3.1.2 - Analogue mode (PABX)

4.3.2 - GSM mode

### **4.4 - Programming the transmitter number**

### **4.5 - Programming module number address**

4.5.1 - Addressing grouping on analogue telephone line

4.5.2 - Addressing on telephone line via GSM gateway

### **4.6 - Communication protocol**

### **4.7 - Method of identification of alarm**

4.7.1 - Recording localisation voice message

4.7.2 - Programming mode of communication of localisation voice message

4.7.3 - Programming number of announcements of voice localisation message

### **4.8 - Programming telephone numbers**

4.8.1 - Table of telephone numbers

4.8.2 - Programming telephone numbers

4.8.3 - Programming a pause

4.8.4 - Deleting a number

### **4.9 - Validation and setting of parameters**

4.9.1 - Time out for press on car alarm button

4.9.2 - Car alarm messages/multilingual

4.9.3 - Acknowledgement of call from the person trapped (EN81-28)

4.9.4 - Communication time

4.9.5 - Setting volume levels

4.9.6 - Configuration of "dual" mode

### **4.10 - Periodic call**

4.10.1 - Validation of periodic call

4.10.2 - Frequency of periodic calls

### **4.11 - Intercom**

4.11.1 - Setting shafts in intercom mode machine room and fire services

## **5 - OPERATION**

**Page 25**

### **5.1 - Test of alarm in the car**

### **5.2 - Technician alarm on car roof**

### **5.3 - Automatic hang-up (phone mode)**

### **5.4 - Sequence of call numbers**

5.4.1 - Standard mode

5.4.2 - Dual call mode

## **6 - TABLE OF KEYPAD PROGRAMMING**

**Page 26**

## **RECOMMENDATIONS**

This document is for professionals who are trained and experienced in the lift business.

Consequently, during an **ANEP** equipment installation on a lift, safety rules that are specific to the profession must be respected

- Use of “Personal Protection Equipment”.
- **Shut down** the facility before making any electrical connections.
- **Make yourself safe before intervening in the shaft.**
- Etc.

Before any handling of **ANEP** devices, ensure you first power them down.

For any “**ANEPBOX**” equipment (**TA,TA+,TX,TX+,...**), it is crucial to connect all peripherals **before** connecting the telephone line.

# **1 - GENERAL**

## **1.1 - Description**

The **ANEP BOX TA+** module is a remote alarm system for lifts and elevators, and complies with prevailing regulations, allowing any user stuck in the car, (or technician blocked in the shaft) to establish voice communication with an alarm reception center or an intervention company simply by pressing an alarm button.

The operator receiving the call can then identify the origin of the call, advise the person as to what they should do and send a qualified technician to release them as quickly as possible.

The **ANEP BOX TA+** module is installed on the roof of the lift, and it is possible to connect other optional modules to it, creating alarm points in the car, under the car or in the pit.

## **1.2 - Technical Characteristics**

### **INSTALLATION LOCATION**

- Lifts, goods lifts, elevators, etc.
- BOX TA+ module, fixed to the roof of the car,
- Phone modules in the car and under the car.

### **STANDARDS**

- Corresponds to European standards EN81-28 and EN81-70 (2003 et 2022),
- Complies with directive 95/16/CE,
- Complies with ETSI ES 203 021-1 v2.1.1 (2005-06)

### **TELEPHONE NETWORK**

- Connection to an analogue telephone line or GSM gateway (possibility of connecting to a PABX)
- Tri-phone remote alarm function for rescue via telephone line (remote power supply to remote alarm)
- Multi-frequency dialling mode,
- Auto-answer.

### **ALARM FUNCTIONS**

- Integrated or remote phoning modules,
- Tri-phone functions by addition of modules BOX-SC or BOX-C,
- Discrimination of user alarm in car,
- Alarm acknowledgement of trapped individual,
- Technician alarm on the roof of the car.

### **EXTERNAL 12V SUPPLY**

For the following functions:

- Yellow and green pictograms,
- Hearing loop (MIL),
- Emergency lighting,
- Voice synthesis,
- Recorder to localise alarm.

## **RECOGNITION OF ALARM LOCATION**

- Dissemination of address by BOX TA+ recorder,
- Display on ANEPcenter®,
- Display on website anepanywhere.com,
- Central display at the call center.

## **TELEPHONE NUMBERS**

- 6 memorised telephone numbers,
- Automatic call-back of 3 numbers if busy or no answer,
- Double call (alarm communicated to two correspondents),
- Cyclical test (1, 2 or 3 days),
- Non-volatile memory (EEPROM) without battery or maintenance.

## **PROGRAMMING**

- Interactive programming keypad (12 keys),
- Local or remote programming on ANEPcenter®,
- Automatic or manual setting of volumes and acoustics.

## **CONTROL FUNCTIONS OF THE EQUIPMENT**

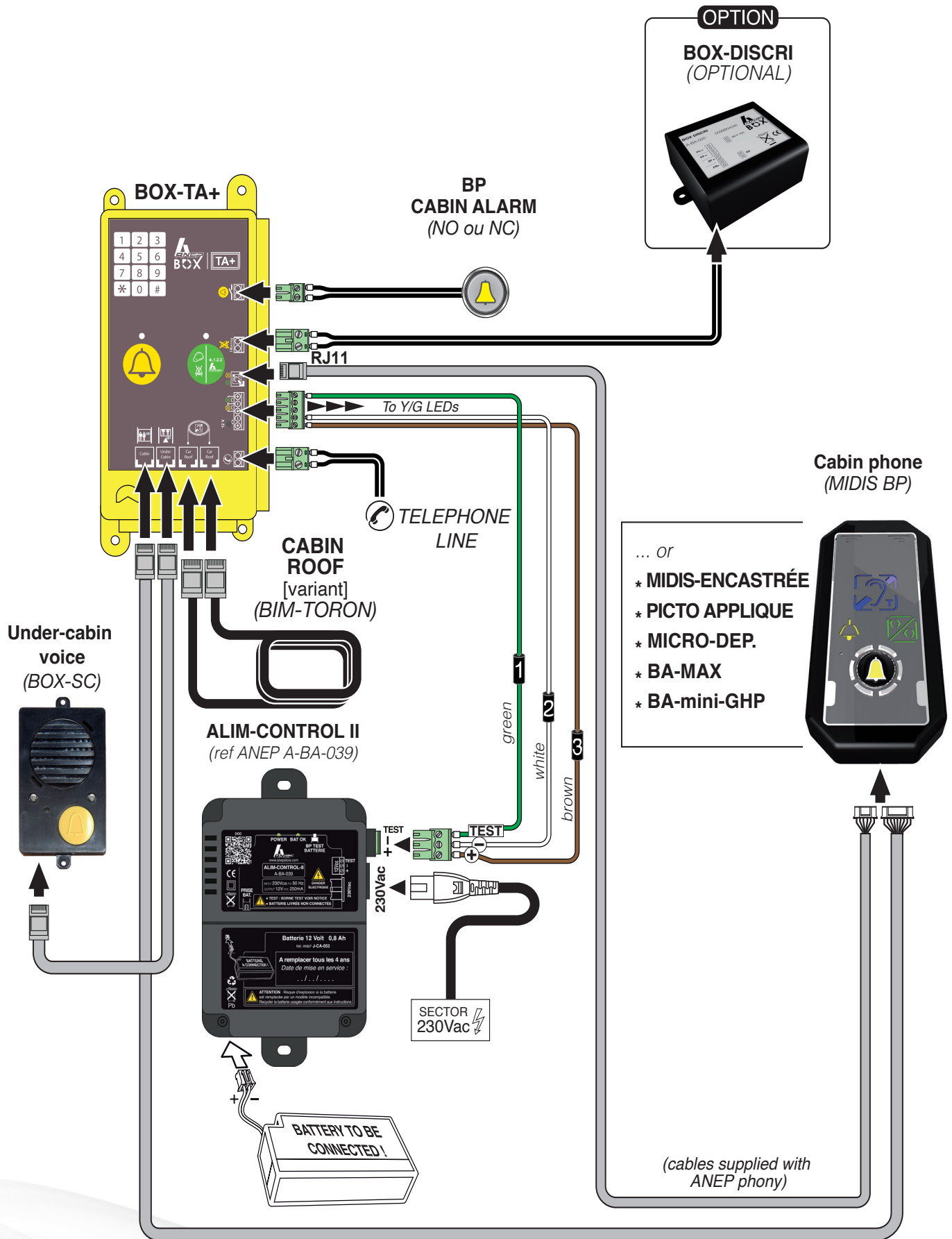
- Test function via ANEP (SVA) Voice Server.

## **INTERCOM FUNCTION**

- From the machine to the shaft (addition of module BOX-M),
- From the main floor to the car phone (addition of “carré pompier” module).



### 1.3 - Connection of module ANEP BOX TA+



## **2 - FUNCTIONS**

### **2.1 - Interactive keypad**

When the technician programs the BOX TA+ module using the keypad, to confirm the activation of the keys, the module reads out the key pressed as follows:

0 = Zero / 1 = One / 2 = Two / 3 = Three / 4 = Four / 5 = Five / 6 = Six / 7 = Seven / 8 = Eight 9 =Nine

\* = Star                   # = Hash

Since 12V electrical supply is required to run the voice synthesis system, beeps will be heard if the supply fails.

### **2.2 - Choice of telephone network**

The BOX TA+ module uses a telephone network to transfer alarms to a reception center. For the equipment to work properly, a distinction must be made between network types:

- Switched telephone network (analogue),
- GSM gateway,
- PABX mode.

The choice of network acts on the following functions:

- Information of GSM gateway battery charge (only for model PG1),
- Phone control of loudspeaker and microphone,
- Securing of data transfer to a central reception center

The PABX mode allows the TA+ module to operate with most PABXs although this does not guarantee that it will function with all PABXs on the market.

This mode allows the following:

- Dialling with line rest voltage between 20 and 28V,
- Automatic response if the bell stream exceeds 400 m/s.

The BOX TA+ module is compatible by default with different analogue telephone networks of European countries (RTC or PSTN).

Only the UK requires specific programming for the TA+ module.

### **2.3 - Car alarm**

#### **2.3.1 - Alarm and multilingual messages**

When a user trapped in a lift car presses the alarm, the TA+ module announces an audio message to indicate that the alarm has been acknowledged and reassure the user before setting up communication with the call center operator.

This synthesised voice audio message is available in five languages.

At the time of programming, it is possible to select several languages or activate a repetition mode.



List of available languages :

LANGUAGES	MESSAGES
French	Votre appel est enregistré, veuillez patienter
German	Ihr Notruf wurde entgegengenommen. Bitte haben Sie einen Moment Geduld
English	Call in progress. Please wait
Italian	è stata registrata la sua chiamata. La preghiamo di pazientare
Flemish	Uw oproep is geregistreerd,even geduldt aub

Factory settings: Message in French

### 2.3.2 - Discrimination of car alarm

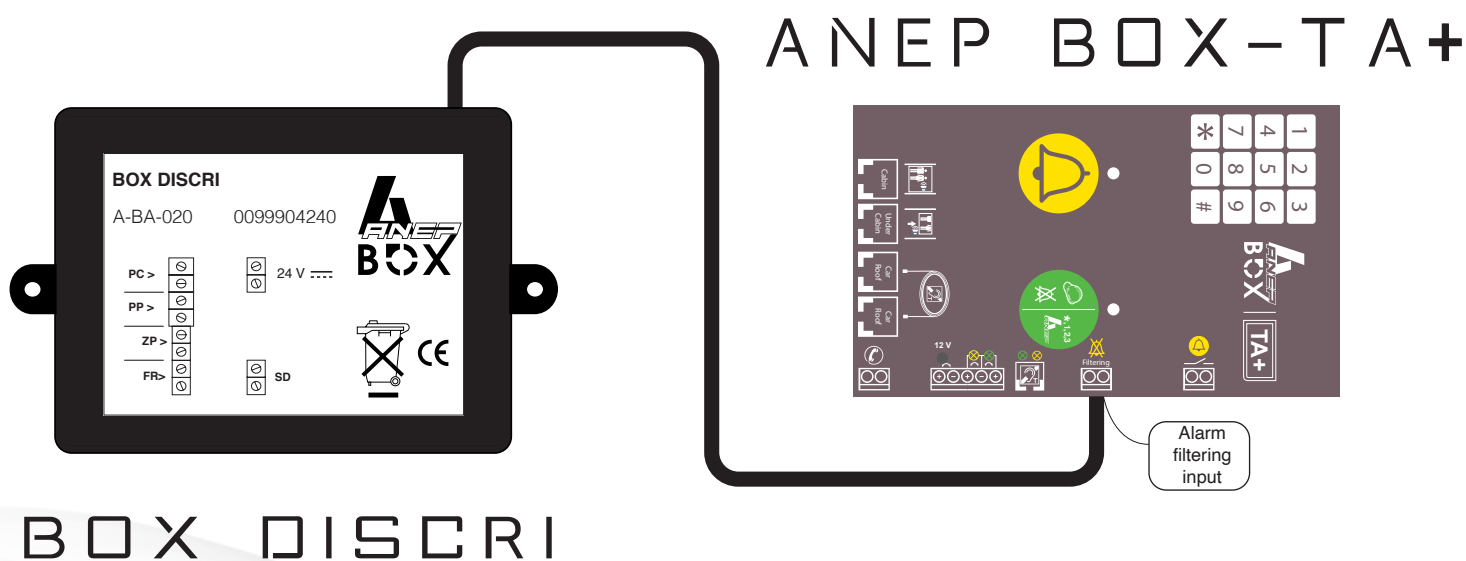
Discrimination of alarms is used to avoid the car alarms being activated unnecessarily, further to improper use or vandalism.

5V to 230Vdc maximum voltage applied to the input – Filtering – of the BOX TA+ module invalidates the triggering of any car alarms.

**Nota : The discrimination function is performed only if alarm termination has been performed locally or remotely.**

### 2.3.3 - Discrimination according to standard EN81-28

With additional module BOX DISCRI installed in the control unit, the discrimination analysis complies with standard EN81.28.

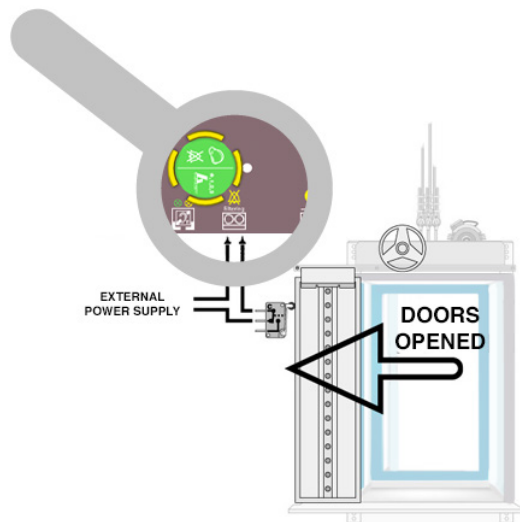


### 2.3.4 - Simple discrimination

It is possible to set up simplified discrimination using autonomous information about completion of car door opening.

**NB: Ensure that the car door cannot be opened automatically or manually.**

If the car is blocked between floors and the user manually forces the car door open, the alarm will be discriminated.



### 2.3.5 - Forced alarm (Safety for trapped user)

Without a car alarm in progress, and when discrimination is valid, the car alarm can nevertheless be triggered if the car alarm button is pressed 4 times within 15 minutes. For each impulsion, the time the button is held must exceed the programmed time required to acknowledge the alarm, and the button release time between each impulsion must be at least 3 seconds.

### 2.3.6 - Setting sound levels

Depending on local building configurations, it is possible to adapt the sound levels and the microphone/loudspeaker switch between three alarm points of the BOX TA+ module (on the car, in the car, under the car.)

Setting is performed using the BOX TA+ keypad during voice communication.

### 2.3.7 - Communication in alarm mode

When the alarm is triggered, the communication time can be adjusted. Conversation time is adjustable between 1 and 99 minutes (factory setting is 3 minutes).



A long period of voice communication may disrupt the call cycle of the different telephone numbers :

- In case of double calls,
- Upon completion of messaging with the programmed acknowledgement mode

### 2.3.8 - Alarm bell

The triggering of the “alarm bell”, which is integrated into the BOX TA+ module, is activated as follows:

- After triggering of the alarm (programmable),
- When the call is not answered, at the end of the cycle of call attempts,
- Immediately at the time the alarm is triggered after detection of low voltage on the telephone line (voltage under 28 Volts), which indicates a fault on the telephone line or that another BOX using the same telephone line is currently being used.

Activation time is 6 seconds and the loudspeaker selected is the one integrated in the BOX TA+ module (the roof of the car). This function requires the presence of 12V of direct current to the BOX TA+ module.

### 2.3.9 - Operator acknowledgement

When this function is validated, the alarm must be acknowledged by the reception center operator, who must enter the sequence “#” and “1” on the dial pad of the telephone during the voice communication.



If this acknowledgement operation is not performed, all the programmed telephone number cycles will be completed

### 2.3.10 – Recording of voice localisation module

The TA+ module includes a recognition function for the location of the call by dissemination of a pre-recorded message, allowing localisation by address and identification of the lift.

During voice communication with the person trapped in the car and the rescue center upon request from the operator, the TA+ module reads the pre-recorded message, thus identifying the origin of the emergency call.

NB: For the message to be announced, the call has to arrive at the operator directly without being processed by an alarm receiver.

### 2.3.11 – Car loudspeaker and microphone test

Any doubt about the proper operation of the loudspeaker and microphone in the car telephone system can be removed remotely, upon request from the operator via the telephone line.

This test allows the loudspeaker/microphone ensemble of the car telephone system (Faceplate phone system or BOX-BA phone system) to be checked. The test involves emitting a frequency of 1 kHz for 4 seconds in the loudspeaker, which is picked up by the microphone and heard by the operator over the telephone line.

### 2.3.12 - End of alarm

#### Locally :

The end of the car alarm is only possible if a car alarm has been triggered beforehand. When the technician presses the green button on the TA+ module, an end-of-alarm message is generated.

#### Remotely :

ANEP-BOX TA+ includes an “end-of-alarm” function which is triggered remotely (Standard **EN81-28**).

The order is given by the operator at the call center via ANEPCenter when a “user trapped in car” alarm is not followed by an “end-of-alarm” by the technician on site.

The call center contacts BOX TA+ to give instructions to close the user alarm. The TA+ module calls back the center to inform it of the “proper” execution of the instruction, thereby ensuring the complete operational chain of the alarm has been respected.

This function cannot be completed if the telephone line of the ANEP BOX-TA+ is call-out only.

Having received this order from the ANEPCenter, the Box generates a new call referred to as:

“Emergency: End-of-Alarm triggered remotely”

The call is sent to the Call Reception Center (Telephone memory n° 104).

### 2.4 - Periodical Calls

In compliance with standard **EN81-28**, the BOX TA+ module performs an automatic periodic test (adjustable between 1 and 3 days maximum) to check the proper operation of the rescue call device.

### 2.5 - Listening to data transfer

So as to allow the technician working on the lift to understand whether the BOX TA+ module is in communication with a call reception center, all data exchanges are audible at low volume level via the loudspeaker of the BOX TA+ module.



**IMPORTANT** : No action is possible during programming on the keypad of the BOX TA+ module during the communication phase.

### 2.6 - Automatic hang-up

Upon alarm :

The call is hung-up automatically when the telephone line is detected as busy, or upon completion of the communication time. The BOX TA+ module emits a melody 10 seconds before the end of the communication

On data transfer:

The call is hung-up automatically at the end of the data exchange.

## **2.7 - 12V and Battery control**

The BOX TA+ module includes an external 12V supply control function which is transmitted during the periodic test.

### **Memorisation of external 12V supply**

Presence of 12V is tested and memorised at the time of programming the telephone number dedicated to the “periodic test call” (programming using the BOX keypad or remotely).

### **Transmission of absence of external 12V**

In case of absence of 12V at the time of the “periodic test”, a “daily fault” call will be sent out. In the other cases the call will be a normal daily call, i.e. “periodic test”.

## **2.8 - GSM gateway model ANEP PG1 battery control**

The PG1 gateway regularly controls its battery and, in case of a fault, the information is sent to the BOX TA+ (to the main module if there are several BOX TA+ modules linked to the PG1 gateway).

After detection of a fault the BOX-TA+ module generates a call referred to as :

“Emergence of GSM Battery fault”.

After recharging or replacing a battery, the PG1 gateway informs the BOX TA+ module, which generates a call referred to as:

“End of GSM Battery Fault”

## **2.9 - P100 Protocol**

By **default the ANEP data transfer protocol** (Data) is validated (Identification of place of alarm, date, time, cyclical test, faults, etc.)

It is possible to program the BOX TA+ module to perform these data transfers in the simplified P100 protocol format, allowing the communication to be received at a call reception center equipped using the protocol.

## **2.10 - Fire service machine room intercom**

The BOX TA+ module can be combined with a BOX-M module, to add the intercom function between the machine room and the car.

The rooftop module and the car phone module then become intercom points, without requiring any modification to car equipment.

## 3 - INSTALLATION

**Before any handling of ANEP devices, ensure that the equipment is powered down.**

### 3.1 - Prerequisites before start-up

The functioning of telephone equipment depends primarily on the characteristics of the telephone line.

Particular care must be given to the cabling of the telephone line, to avoid degrading the standard technical characteristics.

Check cables especially if they link up several lift machine rooms.

- Type of cable,
- Cable way (low/high current),
- Parasites (CMV, generators),
- Etc.



**It is important to connect all peripherals before connecting the telephone line :**

- Car alarm button.
- Car Faceplate.
- Phone system under car.
- Telephone line (after 3 seconds the TA+ module generates one or more initialisation beeps, depending on the module number).
- 12V supply back-up (if audio magnetic loop and yellow/green pictograms).

### 3.2 - Hanging cable

We would advise you to equip the lift with a shielded hanging cable to ensure excellent telephone quality and to avoid any disruption, which may lead to dysfunctions.

### 3.3 - Installation/Connections

The BOX-TA+ module is installed (fixed with 4 screws) on the roof of the lift car, and must be connected to the different peripheral modules according to the required options.

- Car telephone system (Faceplate or remote module),
- Yellow/Green pictograms,
- Magnetic loop,
- Telephone system under car,
- 12Vdc supply,
- BOX-DISCRI,
- Telephone network.



## 4 - PROGRAMMING

All the peripherals of the ANEP-BOX TA+ module must be connected before accessing programming mode. (Electrical supply, telephone line, Yellow/Green pictograms, magnetic loop, alarm button, discrimination, car Faceplate, under car module, etc.)

Grouping on the shared telephone line.

All the ANEP-BOX TA+ and ANEP-BOX C connected to the same telephone line must be in hang-up mode to allow access to the programming mode.

### 4.1 - Factory settings

The ANEP BOX TA+ module is delivered with settings referred to as “Factory Setting” :

PARAMETERS	FACTORY SETTINGS
Programming code	* 1 2 3
Communication duration	3 minutes
Hang-up	Automatic
Frequency of periodic call	3 Days
Transmitter number	Factory serial number (8 figures, cf. label on box)
Module number	1
Number of telephones	Not programmed (memory empty)
Telephone network	Analogue telephone line (RTC/PSTN)
Voice announcement of alarm	French: “Votre appel est enregistré, veuillez patienter”
LV car alarm temporisation	0,5 seconds
Operator acknowledgement	Not validated

### 4.2 - Programming mode



**IMPORTANT**

**All programming of BOX TA+ module parameters requires activation of the program access code, except when programming the transmitter number (cf. chapter 4.4)**

#### 4.2.1 - Access to programming

Using the ANEP BOX TA+ module keypad, press the following keys :

**\* 123**


**The device emits a melody**




## 4.2.2 - Exit programming mode

Having completed programming of the device

Press «\*»

At the end of programming, the device emits a melody 

**NB: If no keypad key is activated for 3 minutes, the device exits the programming mode.**

the device emits a melody 

## 4.3.3 - Modification of programming access code

In programming mode :

Press the following keys sequentially **#002**

Enter the new programming code (from **1 to 7** digits) and «#»

Confirm the new programming code (from **1 to 7** digits) and «#»



**It is important to scrupulously note the new code. If you lose the code, the device has to be sent back to the factory.**

## 4.3 - Choice of telephone network

### 4.3.1 - Analogue mode

#### 4.3.1.1 - Analogue mode (RTC/PSTN)

By default, the BOX TA+ module is programmed in analogue mode, on a switched public network.

Having activated the access to programming mode «* 123»	
#404#	Analogue telephone line (RTC/PSTN) voltage of line when not in use : 28V

#### 4.3.1.2 - Analogue mode (PBAX)

Having activated the access to programming mode «* 123»	
#403#	Analogue telephone line (PBAX) line voltage when not in use: between 20 and 28V

### 4.3.2 - GSM Mode

Having activated the access to programming mode «* 123»	
#405#	Telephone line via GSM gateway

Having activated the access to programming mode «* 123»	
#406#	Exit GSM mode and return to telephone line mode on public or private network

#### 4.4 - Programming the transmitter number

The TA+ module identifies itself in data mode through the dispatch of an identification code called the “Transmitter Number”.

**This number corresponds to the manufacturer’s serial number of the TA+ module (8 digits on the label).**

To allow the different databases of the call reception center to be adapted to this, it is possible to modify the identification number.

**NB: The transmitter number is numerical and comprises 8 digits. E.g.: 43 21 15 69**

<b>NB: Modification of the transmitter number does not require prior access to programming</b>	
* # 2 2 2 2 0 xx xx xx xx # *	xx xx xx xx = Number of transmitter 8 digits

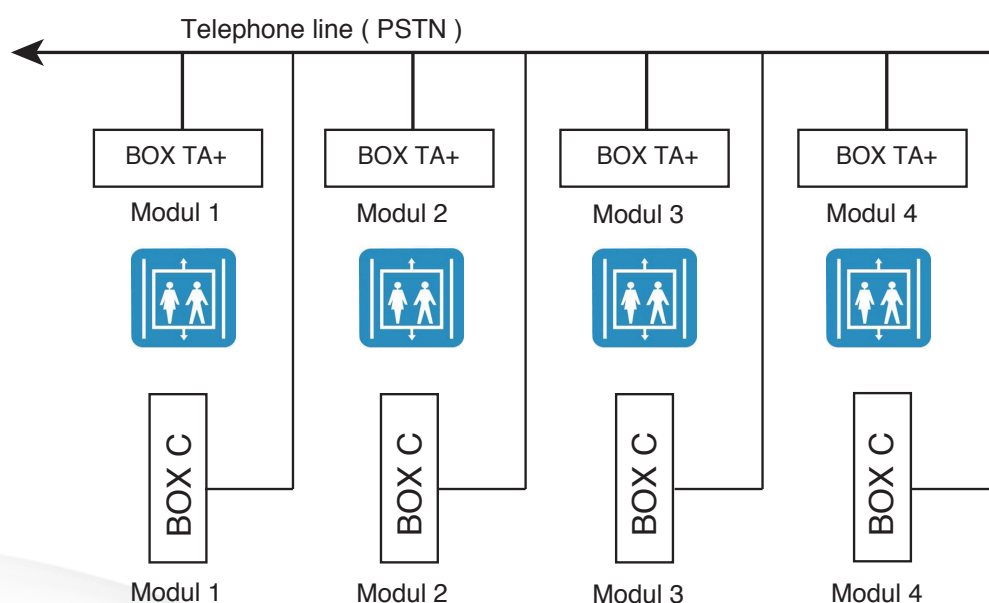
#### 4.5 - Programming module number address

<b>Having activated the access to programming mode «* 123»</b>	
# 3 0 3 xx #	xx = Number of module followed by configuration type (see below)

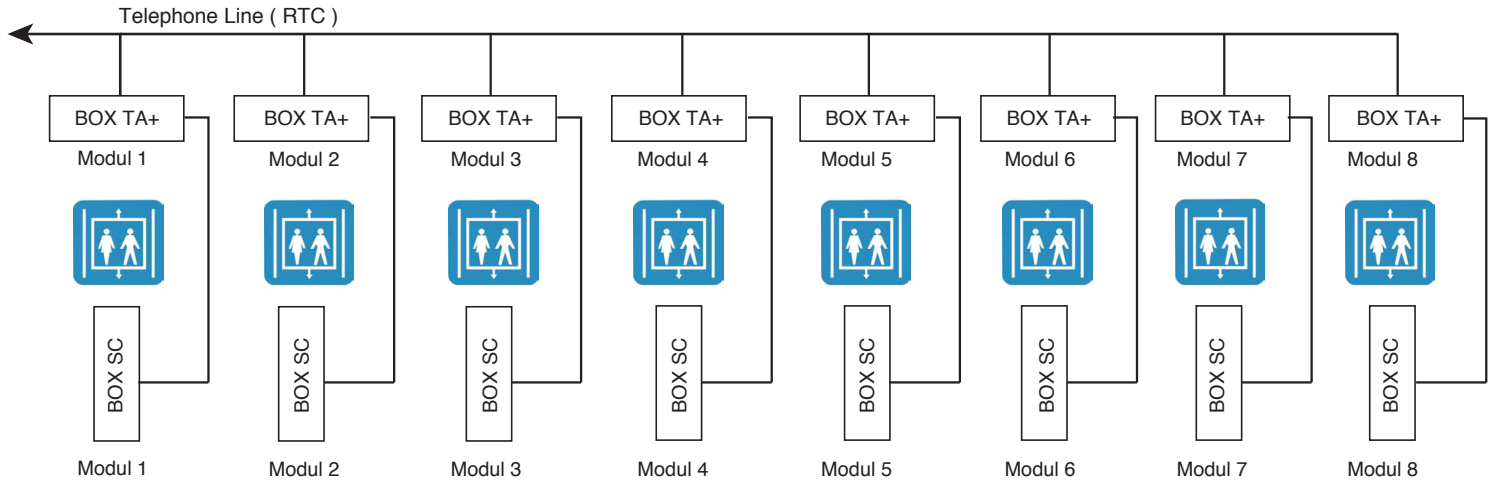
##### 4.5.1 - Address grouping on analogue telephone line

Several modules from the **ANEP BOX TA+ & BOX C** range can be installed on the same telephone line. The maximum configuration is 8 modules connected to the same telephone line. You must configure the address of each module to allow identification at the reception center. In the same way, the reception center must have already created site files corresponding to the lifts, with their module numbers.

##### Configuration 1 - Remote telephone system in pit with BOX C



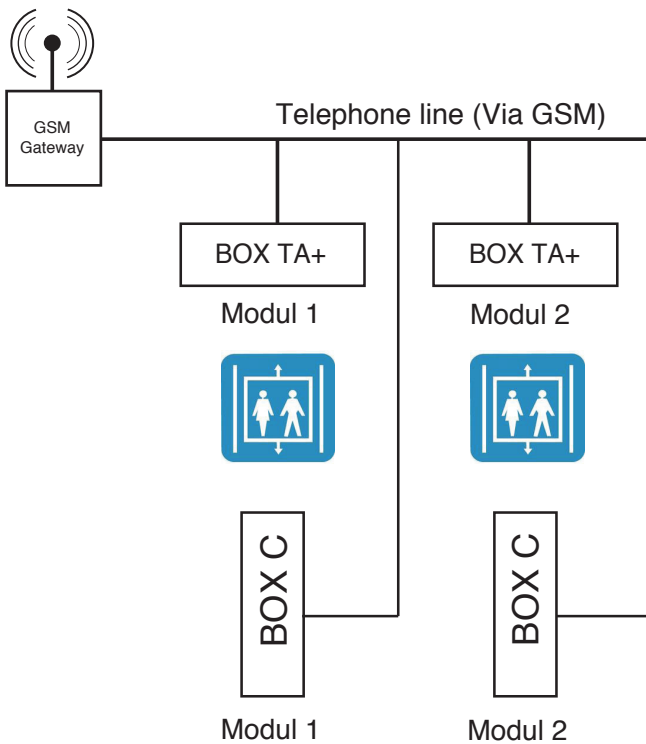
## Configuration 2 - Phoning system remote under car (BOX-SC)



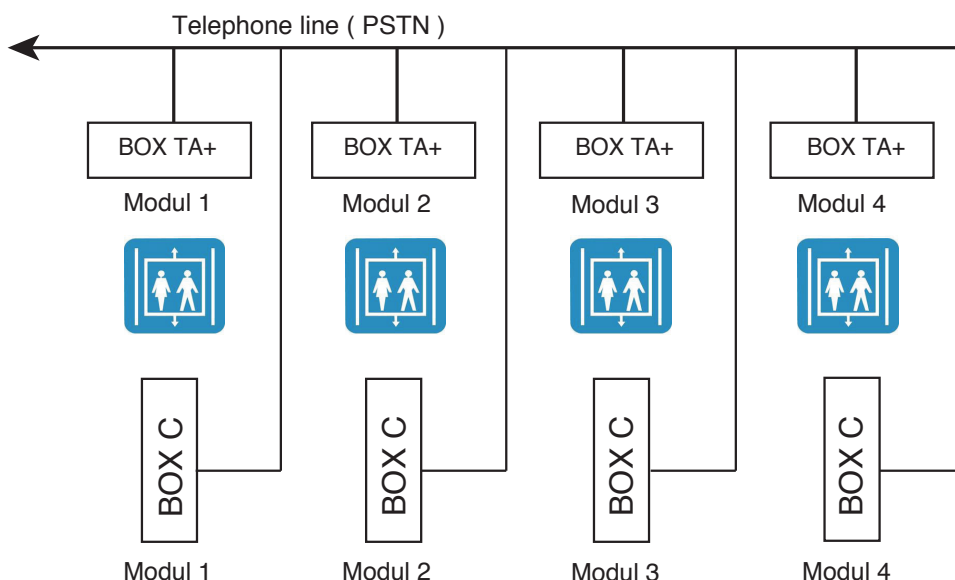
### 4.5.2 - Addressing on telephone line via GSM gateway

4 modules maximum

### Configuration 1 - Remote phone system in pit with BOX C



## Configuration 2 - Remote phone system under car



### 4.6 - Communication protocol

The BOX TA+ module incorporates two types of communication protocols :

- **ANEP protocol (by default or factory setting):**

Open protocol allowing standardisation of data transfer from all ANEP brand equipment.

- **P100 Protocol :**

Open protocol allowing standardisation of data transfer of equipment of different brands. This type of protocol does not allow remote programming or adjusting of the clock on the TA+ module. This protocol is primarily for the transfer of information linked to the alarm (limited protocol cannot be used for products with transfer of breakdowns and meters).

Having activated the access to programming mode «* 123»	
# 2 0 0 0 #	Choose protocole ANEP
# 2 0 0 1 #	Choose protocole P100

### 4.7 - Method of identification of alarm

The TA+ module includes two methods allowing the location of the alarm to be precisely identified (location of the lift)..

1. By transfer of data towards a central position with automatic identification by “form transfer”
2. By emission of a message (pre-recorded lift address and references in the TA+ module) during voice communication with the person trapped in the lift.

**NB: In order for the message to be emitted, the call has to go directly to the operator and not via an alarm receiver.**

#### 4.7.1 - Recording localisation voice message

The localisation voice message is recorded via the telephone network using a telephone allowing the communication of DTMF codes.

Method for recording the localisation method

1. Perform a counter call on ANEP BOX-TA+ using a telephone,
2. After the BOX-TA+ picks up, wait for an audible BEEP in the telephone,
3. Press hash key twice,
4. To start recording press on “7”,
5. To stop recording press on “8”,
6. To listen to the recording press “9”

#### 4.7.2 - Programming mode of communication of localisation voice message

Having activated the access to programming mode «* 123»	
# 506 #	Automatic announcement as soon as the operator picks up and upon the operator's instruction
# 507 #	Automatic announcement as soon as dialling is complete and upon the operator's instruction
# 508 #	Announcement upon the operator's instruction (key “3” on the telephone).
# 509 #	No announcement of localisation message

**NB: When you press on “3” on the telephone keypad, the operator in the reception center will activate, or deactivate, the announcement of the voice localisation message.**

#### 4.7.3 - Programming number of announcements of the voice localisation method

In automatic mode (# 506 # and # 507 #), the message is re-announced every 10 seconds. The number of announcements is programmable.

Having activated the access to programming mode «* 123»	
# 500 n #	n = from 1 to 99.

**NB: Factory setting: in automatic mode, the message is announced 5 times.**

### 4.8 - Programming telephone numbers

#### 4.8.1 - Table of telephone numbers

MEMORY	TYPE OF INFORMATION	TYPE OF COMMUNICATION	RECEPTION
101	User and technician alarm	Data and Telephone	Modem or telephone
102	User and technician alarm	Data and Telephone	Modem or telephone
103	User and technician alarm	Data and Telephone	Modem or telephone
104	End of alarm/PG1 Battery/12V	Data	Modem
105	Cyclical test	Data	Modem
106	Alarm and breakdown info	Data	Modem



**NB: To activate the microphone immediately the voice communication established, add a pause (\*) before the telephone number programmed for memory entries 101, 102 and 103.**

For example : **#101 \* 01 45 69 28 00#**

#### **4.8.2 - Programming telephone numbers**

Example of programming memory number 101.

<b>Having activated the access to programming mode «*123»</b>	
<b># 101 xxx #</b>	x = telephone number (maximum 15 digits).

Identical for other memory entries

#### **4.8.3 - Programming a pause**

If the equipment is connected to a PABX, it is often necessary to dial a prefix followed by a pause and then the telephone number.

To program a PAUSE (2 secondes), press « \* »

example : Pause after the prefix 0 for memory entry 101 with the ANEP number.

<b>Having activated the access to programming mode «*123»</b>	
<b># 101 0 * 01 45 69 28 00 #</b>	01 45 69 28 00 = N°. of ANEP switchboard

#### **4.8.4 - Deleting a number**

Identical to programming, but without entering a number.

For example: delete number of memory entry 101.

<b>Having activated the access to programming mode «*123»</b>	
<b># 101 #</b>	Deletion of number of memory entry 101 from number

Identical for other memories

## 4.9 - Validation and setting of parameters

### 4.9.1 - Time out for press on car alarm button

It is possible to program a time out, after which the pressing on the car alarm button will be detected as an actual alarm. This device avoids the triggering of unexpected alarms (errors or other).

Having activated the access to programming mode «*123»	
# 302 n #	n = value to 1/10th of a second

Example : To program 4.5 seconds, enter 45 in place of nn.

**NB: With the factory settings, the TA+ module is programmed at 0.5 seconds.**

### 4.9.2 - Car alarm messages/multilingual

Programming of the announcement of messages for the acknowledgement of the car alarm (user trapped).

Programming of the language and position in the order of announcements:  
(Possibility of announcing the message **5 times**).

Having activated the access to programming mode «*123»	
# 501 n #	Position 1
# 502 n #	Position 2
# 503 n #	Position 3
# 504 n #	Position 4
# 505 n #	Position 5

n	LANGUAGES
1	FRENCH
2	GERMAN
3	ENGLISH
4	ITALIAN
5	FLEMISH
0	No announcement

### 4.9.3 - Acknowledgement of the call from the person trapped (EN81-28)

When this function is validated, an alarm call emitted by **ANEP BOX TA+** must be acknowledged by the operator who dials the sequence “#” and “1” on the keypad of her telephone during the voice communication.

If this operation is not performed, **ANEP BOX TA+** calls back the call reception center 6 times. This function ensures that the alarm is acknowledged by an operator and not by a voice message.x

Having activated the access to programming mode «*123»	
# 202 #	Validation of the car alarm being acknowledged by the operator
# 203 #	Unvalidation of the car alarm acknowledgement by the operator

#### 4.9.4 - Communication time

Communication time is adjustable between 1 and 99 minutes.

Having activated the access to programming mode «*123»	
# 201 nn #	nn = minutes Value from 01 to 99.

**NB : Factory setting: 3 minutes.**

#### 4.9.5 - Setting volume levels

**IMPORTANT : Adjustments to volume levels are made out of programming mode**

It is possible to adjust loudspeaker/microphone volumes independently for the car user alarm and the technician alarms on the car roof (TA+ module) and under the car (BOX SC module)

Settings are made during the voice communication with the operator		
Setting	Increase	Decrease
Volume (Loudspeaker)	Key «6»	Key «9»
Shaft (microphone)	Key «5»	Key «8»

Press 0 to hang up.

Press 1 to return to factory setting volume levels.

**NB : Modifications made in manual setting mode replace those performed beforehand in automatic setting mode.**

#### 4.9.6 - Configuration of « dual » mode

The dual call mode allows a guard post or safety station to be called (telephone only) before sending an alarm to the call reception center (data and ...).

Telephone memory numbers 101 and 102 are used for this function. Telephone memory number 103 is not used for this function, even if a number is attributed to it

Having activated the access to programming mode «*123»	
# 206 #	Validation of dual call mode
# 207 #	Unvalidation of dual call mode

Telephone memory numbers must be configured as follows:

Memory no.101: Telephone number of the guard or guard post.

Memory no.102: Telephone number of the call reception center.

Sequencing of the alarm:

When the alarm is triggered, the transmitter calls memory number 101 (guard).

It then calls memory number 102 (reception center).

If memory number 101 is busy (guard or guard post) or 102 is busy (reception center), these numbers are called up to **six times over**.

## 4.10 - Periodic call

### 4.10.1 - Validation of periodic call

To validate the periodic call, you must have previously programmed a telephone number into memory number 105 of the BOX TA+ module (refer to chapter 4.8 “Programming telephone numbers”).

**NB: When exiting programming mode, having memorised the telephone number of the periodic call, the BOX TA+ module automatically triggers its first periodic call.**

**So as to warn the technician that the TA+ module is in communication, the loudspeaker is activated throughout the communication.**

**Access to programming mode is impossible during a telephone communication.**

### 4.10.2 - Frequency of periodic calls

Having activated the access to programming mode «*123»	
# 301 n #	n = the number of days between each periodic call (1, 2 or 3 days)

**NB: Factory setting: 3 days.**

## 4.11 - Intercom

### 4.11.1 - Setting shafts in intercom mode machine room and fire services

Possible to set loudspeaker and microphone gains used for intercom functions independently for the machine room and fire services.

These settings do not modify the settings defined for the traditional tri-phone functions.

## Setting microphone gain :

Having entered the programming access code

Press on keys #407 and then a value between 1 and 15 and then #  
(1 = minimum gain/15 = maximum gain)

## Adjusting loudspeaker gain :

Having entered the programming access code:

Press on keys #408 and then a value between 1 and 15 and then #  
(1 = minimum gain/15 = maximum gain)

# 5 - OPERATION

## 5.1 - Test of the alarm in the car

Press on the car's alarm button.



If discrimination is not activated, the TA+ module announces one or more voice messages to indicate that the alarm has been acknowledged before establishing communication with the operator at the call center. Tone and dialling can be heard in the car.

“BEEPS” are emitted every 6 seconds in case of silence, so as to indicate that the device is online.



To close the alarm, press the green button on the TA+ module: “end of alarm”.

## 5.2 - Technician alarm on car roof

Press the TA+ module alarm button

The TA+ module emits one or more voice messages to indicate that the alarm has been acknowledged before establishing communication with the operator at the call center. Tone and dialling can be heard in the car.

“BEEPS” are emitted every 6 seconds in case of silence, so as to indicate the device is online.



## 5.3 - Automatic hang-up (phone mode)

Hang-up is automatic on detection of a busy telephone line or on completion of the programmed communication time.

ANEP BOX TA+ emits a melody 10 seconds before the end of the communication



## 5.4 - Sequence of call numbers

### 5.4.1 - Standard mode

If call number 101 is busy or does not answer (after 10 rings), the ANEP BOX TA+ calls the other numbers 102 and 103, if they are programmed. Each call number programmed is called successively 6 times maximum.

Memory nos.	Call order	Cycles
101	1	6 times
102	2	
103	3	

### 5.4.2 - Dual call mode

**NB: The dual call mode deletes the use of memory number 103.**

Memory nos	Ordre Appel	Cycles
101	1	6 times
102	2	

When the alarm is triggered, the transmitter sends the number to memory number 101 (guard).

It then calls memory number 102 (reception center).

If number 101 (guard) or 102 (reception center) is busy, these numbers are called up to six times.



## 6 - OPERATION OF YELLOW & GREEN PICTOGRAMS



### Operation of Yellow and Green LEDs (STANDARDS 2003 and 2022)

#### STANDARD 2003 (default setting)

- During dialing (prerecorded number), the green and yellow LEDs light up alternately, then only the yellow LED remains lit.

#### STANDARD 2022 (programming on BOX keypad)

- During phone calls, the yellow LED stays on.
- The yellow and green LEDs flash alternately every second if the cyclic test is not acknowledged within one hour of non-receipt.
- LEDs stop flashing either when an alarm is terminated or when a cyclic test is performed.

Programming on ANEP BOX keypad

After activating the programming access mode « *123 »	
# 417 #	Validates the management of Yellow and Green LEDs to <b>2003</b> standards
# 418 #	Validates the management of Yellow and Green LEDs to <b>2022</b> standards
# 419 #	Validates yellow and green LED management to <b>2022</b> standards with yellow LED off during communication (end of alarm).

## 7 - TABLE OF KEYPAD PROGRAMMING

### Access to and exit from configuration mode

- \* + <Access code > Switch to setting mode
- \* Exit setting mode

### #0... Configuration

- #001# Zero settings and telephone numbers
- #002...# New access code

### #1... Tel.n°

- #101...# Main telephone number for phone call (or Guard telephone number for dual calls)
- #102...# Telephone number for rescue for telephone calls (or telephone number for phone call in dual call)
- #103...# Telephone number for call reception center to send data before phone connection
- #104...# Telephone number of call reception center for sending data after phone call
- #105...# Telephone number for cyclical test
- #106...# Telephone number for internet

#2...		<u>Communication</u>
#200 0#	ANEP protocol	
#200 1#	P100 protocol	
#201...#	Duration of a call (1 to 99 minutes)	
#202#	Function for acknowledgement of call by operator validated	
#203#	Function of acknowledgement of call by operator not validated	
#204#	Validation of Full-Duplex mode in car	
#205#	Validation of Switch Duplex mode on car	
#206#	Dual call mode (Guard call) validated	
#207#	Dual call mode (Guard call) not validated	

#3...		<u>Configuration</u>
#301...#	Frequency of Cyclical test (1, 2 or 3 days)	
#302...#	Time for alarm input to be recorded (10 to 64 in 1/10ths of seconds)	
#303...#	Module address (1 to 8)	
#305...#	Time for floor door input to be taken into account (0 to 99 mm)	

#4...		<u>Configuration</u>
#401#	Validation of siren function	
#402#	Unvalidation of siren function	
#403#	Autocom mode (private Autocom) low line voltage (Voltage > = 20V)	
#404#	Analog mode (RTC/PSTN) normal line voltage (Voltage > = 28V)	
#405#	GSM mode validated	
#406#	GSM mode not validated	
#407...#	Setting of microphone gain (from 1 to 15)	
#408...#	Setting of loudspeaker gain (from 1 to 15)	

#5...		<u>Configuration</u>
#500...#	Number of localisation voice message announcements	
#501...#	Message number 1	
#502...#	Message number 2	
#503...#	Message number 3	
#504...#	Message number 4	
#505...#	Message number 5	

#5...		<u>Configuration</u>
#506#	Automatic announcement as soon as the operator picks up and upon instruction from operator	
#507#	Automatic announcement as soon as dialling is finished and upon instruction from operator	
#508#	Announcement upon instruction from operator (key "3" on the telephone)	
#509#	No announcement of voice localisation message	

AFTER SALES SERVICES PROVIDED BY

**SAVTEL**

4 bis rue de Paris 94470 Boissy-Saint-Léger

Tel : +33 (1) 45 98 34 44



Website : [www.anepstore.com](http://www.anepstore.com)